

STOCK PROGRAM

# FUNCTIONAL

BY DESIGN



**LUONTO**

Founded in Finland, Since 1964



## Celebrating Six Decades of Luonto Furniture

Marking our 60th anniversary, we at Luonto Furniture Our founder, Pentti Viitala, instilled in us the vision of delivering high-quality furniture at fair prices. Today, with a presence in over 15 countries, we continue to uphold this vision. As we celebrate this milestone, we reaffirm our commitment to craftsmanship, innovation, and customer satisfaction. Here's to our past 60 years and to many more ahead.

## Contents

Our Quality Standard \_\_\_\_\_ 2

Raw Materials \_\_\_\_\_ 3

Our Functions \_\_\_\_\_ 4

### LEVEL FUNCTION

Belton \_\_\_\_\_ 6

Charleston \_\_\_\_\_ 7

Fantasy \_\_\_\_\_ 8

Leon \_\_\_\_\_ 9

West \_\_\_\_\_ 10

### HYBRID DELUXE FUNCTION

Haven \_\_\_\_\_ 11

### HYBRID FUNCTION

Casey \_\_\_\_\_ 12

Hampton \_\_\_\_\_ 13

Pint \_\_\_\_\_ 14

### NEST FUNCTION

Aura \_\_\_\_\_ 15

Elfin \_\_\_\_\_ 16

Erika \_\_\_\_\_ 17

Ethos \_\_\_\_\_ 18

Gloria \_\_\_\_\_ 19

Harold \_\_\_\_\_ 20

Harper \_\_\_\_\_ 21

Hugo \_\_\_\_\_ 22

Jamie \_\_\_\_\_ 23

Monika \_\_\_\_\_ 24

Nico \_\_\_\_\_ 25

Paris \_\_\_\_\_ 26

### MOVE FUNCTION

Halti \_\_\_\_\_ 27

### FLIP FUNCTION

Delta \_\_\_\_\_ 28

Free \_\_\_\_\_ 29

Martta \_\_\_\_\_ 30

Noah \_\_\_\_\_ 31

### EASY DELUXE FUNCTION

Dolphin \_\_\_\_\_ 32

Emery \_\_\_\_\_ 33

Flipper \_\_\_\_\_ 34

Rosalind \_\_\_\_\_ 35

### BUNK BED FUNCTION

Elevate \_\_\_\_\_ 36

### RECLINER

Rolled \_\_\_\_\_ 37

Sloped \_\_\_\_\_ 38

Track \_\_\_\_\_ 39

Welled \_\_\_\_\_ 40

### STATIONARY

Liam \_\_\_\_\_ 41

Poet \_\_\_\_\_ 42

Viola \_\_\_\_\_ 43

Accessories \_\_\_\_\_ 44

Functional Table \_\_\_\_\_ 44

### TECHNICAL

Maintenance Tips \_\_\_\_\_ 45

Upholstery Information \_\_\_\_\_ 46

Specialty Fabrics \_\_\_\_\_ 47

Stock Program SKUs \_\_\_\_\_ 48

# Sustainability

“it’s done simply because it’s who we are and where we come from”

6 ton

Weekly Pellet Weight

1600s

Forest Regulation Start

80

Years Before Harvests

70%

Timber Exported



## Quality and Longevity

Luonto Furniture crafts high-quality furniture designed to last more than 10 years. The focus is on repair-ability in both materials and assembly methodology, significantly reducing product waste.



## Zero Wood Waste

The company practices zero wood waste. Wood dust collected at the sawmill is pressed into pellets, which are used to heat production lines during Finland’s harsh winters.



## High-Quality Raw Materials

Luonto Furniture sources only the highest quality raw materials. These materials have world-renowned certifications for wood, foam, fiber fill, and upholstery.



## Recycled Materials

The fibers used in cushions are made with recycled PET water bottles. The R-PES upholstery collection contains 100% polyester from recycled bottles.



## Sustainable Manufacturing Practices

Sustainability is built into the manufacturing practices. This includes re-purposing wood dust and partnering with local artisans to use scraps, rather than considering them waste.

# Our Quality Standard

Quality is the cornerstone of the business, permeating all processes from design to delivery, with rigorous testing at each stage. A culture of excellence is fostered through performance-based incentives, promoting high-quality production and occupational wellbeing, all while upholding the vision of offering high-quality furniture at fair prices.

## Maintaining Our Quality



### Product Design

Furniture is designed for intended uses



### Materials

Selection is based on longevity needs



### Production

CNC means precision every time.



### Inspection

Quality checks occur at every step



### Warranty

Trusted and guaranteed for at least 10 years

## Certifications and Labels



### On Solid Wood

Promotes sustainable forest management.



### On Plywood

Upholds biodiversity and improves local economies.



### All Cushion Foam

Voluntary testing for environmental, health, and safety standards.



### Oeko-Tex

A standard for consumer safety in decision-making.

In filling materials and some upholsteries.



### REACH

An E.U. regulation for protection against harmful chemicals.

In filling materials and some upholsteries.



### Performance

Advanced technology for stain protection, cleanable with water.



### All AquaClean

AquaClean technology that protects against viruses and bacteria.



### All AquaClean

Performance without harmful PFCs, ensuring safety.



### R-PES

Promotes environment free from harmful chemicals.

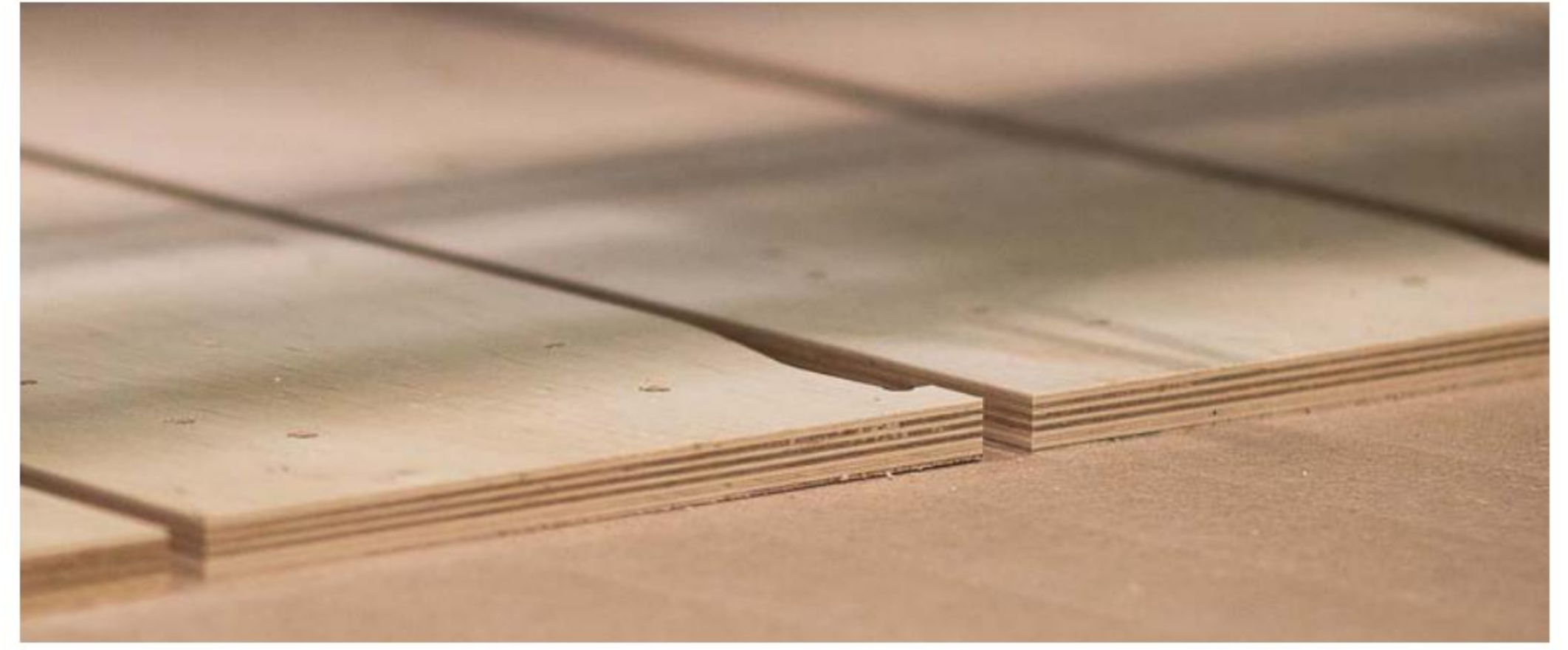
Learn More Online

[www.luonto.com/certifications](http://www.luonto.com/certifications)

# Raw Materials

## Birch Plywood

Interior-grade Birch Plywood is strong, rigid, and resistant to warping, splitting, and moisture. Its durability, stability, and resistance to environmental changes make it an ideal choice for long-lasting, high-quality furniture.



## Nordic Spruce Solid Wood

Grown in northern Europe, Nordic Spruce combines strength, flexibility, and sustainable management, making it ideal for durable, environmentally-friendly furniture frames.



## No Sag Seat Suspension

Known as sinuous springs, are often used in due to their durability and comfort. The “no-sag” name comes from their ability to maintain their spring and bounce. We use a minimum of 4 per seat, spaced 4.25 inches on center for uniform comfort.



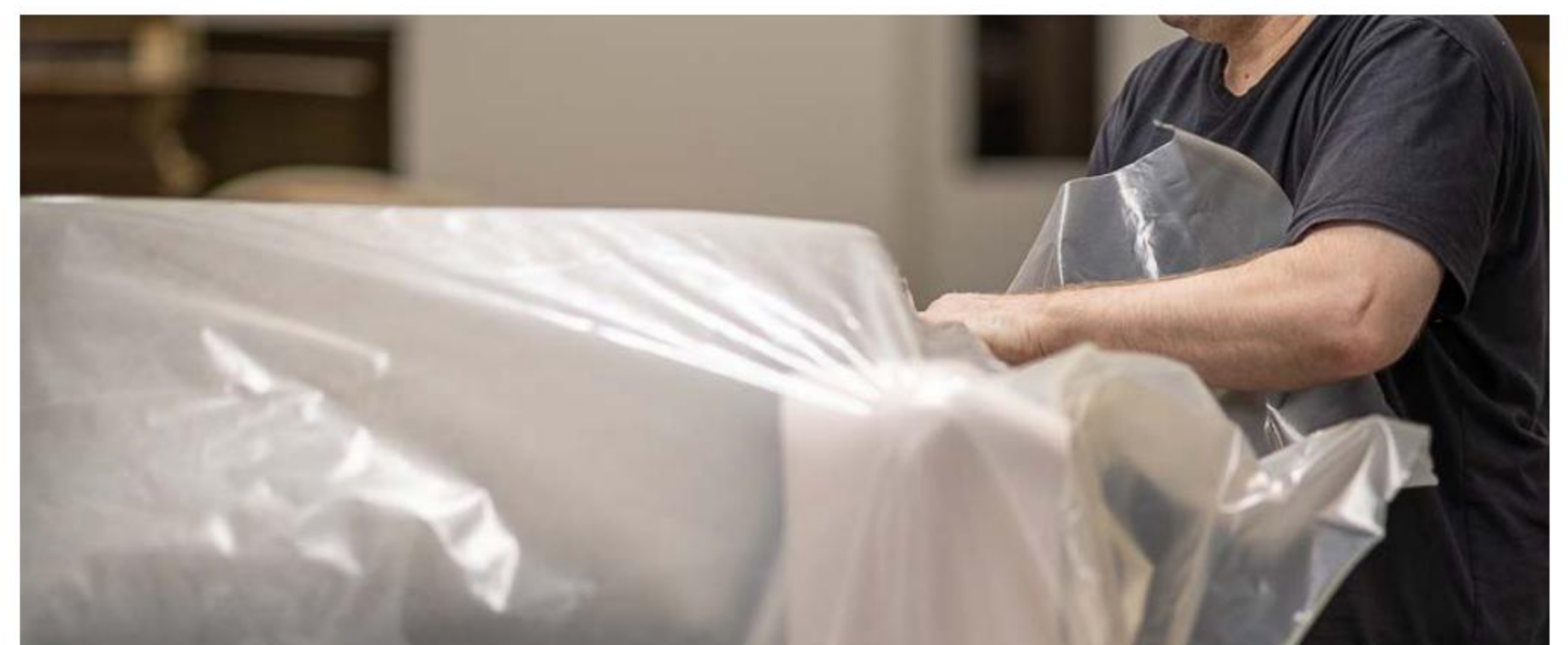
## Foam, Fiber and Filling

All comfort can be credited to Cold Cured High Resilient foam, its the premier choice due to its superior durability, resilience, and pressure distribution. Every cushion is chamber-filled, by weight for consistent comfort.



## Packaging and Shipping

Prioritizing both sustainability and product safety, recycled poly sheets and re-purposed foam scraps for padding are used in packaging. Each item is hand-wrapped with double bubble wrap and uncoated carton bottoms establish a safe, eco-friendly delivery.



# Our Functions



## Level Function

1. Remove back cushions
2. Lift from under the front of seat
3. Take a few steps back
4. Lower the seat
5. Gas springs offer an assisted open and soft close



## Hybrid Deluxe Function

1. Remove back cushions
2. Lift from under the front of seat
3. Take a few steps back
4. Lower the seat
5. Backrest automatically folds down completing the bed.



## Hybrid Function

1. Remove back cushions
2. Lift from under the front of seat
3. Take a few steps back
4. Lower the seat
5. Walk to rear, and pull forward the back to lower



## Nest Function

1. Remove back cushions
2. Grab handle near seat back
3. Use other hand to lift seat front
4. Lift up and out, lower to floor
5. Fold down seat back. Repeat for each seat



## Flip Function

1. Lift/remove the seat backs up
2. Lift from under the front of seat
3. Take a few steps back
4. Sleep orientation is arm to arm
5. If sleeper sectional, orient feet toward chaise



## Move Function

1. Pull to slide out for deep seat
2. Lift from under the front of seat
3. Take a few steps back
4. Lower the seat
5. Sleep orientation is arm to arm
6. Fully upholstered triple chaise



## Easy Deluxe Function

1. Remove back cushions
2. Lift from under the front of seat
3. Take a few steps back and lower
4. Reveals the under seat storage
5. Walk to rear, and pull forward the back to lower



## Bunk Bed Function

1. Lift up from front panel
2. Reach down with right hand, pull handle up and out
3. Unclip and swivel ladder down
4. Open hinged head/foot panels
5. Unclip belt and install rail cover



## Lounger Function

1. Standard: Swivel Glider
2. 4-way or 2-way headrest
3. Optional : Manual Mechanism
4. Optional : Power Mechanism standard with rechargeable integrated battery



## All About Our Stock Program

Our In-Stock Program boasts an impressive selection of over 250 furniture SKUs, meticulously designed for space optimization. Our distribution center, strategically located in Charleston, South Carolina, guarantees prompt shipping, with your selected items dispatched within just 3-5 days.



Our Live Inventory Reporting feature keeps you informed effortlessly. Available on our website [www.luonto.com/stock](http://www.luonto.com/stock), it allows you to check the stock availability of our In stock program items, streamlining your sales & purchasing experience and saving you precious time.

**Our Live Inventory Reporting feature keeps you informed effortlessly. Available on our website [www.luonto.com/stock](http://www.luonto.com/stock), it allows you to check the stock availability of our In stock program items**

From King-size sleepers to Cot-size chair sleepers and more, our In-Stock Program offers a diverse range of functional and stationary furniture solutions. Catering to various needs and styles, we take pride in distributing our best-selling items throughout North America, committed to bringing you premium quality furniture that compliments your space.

Explore our In-Stock Program today and discover the perfect piece for your space.

# Belton

## Level Function

This single motion sleeper function features assisted opening and soft close operation



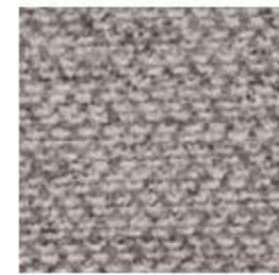
## Stock Options

### Upholstery & Legs

See all material specifications on page 46



**Grade A**  
Gemma 01  
**Performance**  
SMART Fabric



**Grade A**  
Gemma 86  
**Performance**  
SMART Fabric



**Walnut**  
Leg 105/6  
W 3.5 x H 2.25



**Standard for Power**  
Wireless Remote  
**Includes**  
x2 AAA Batteries

### Configurations

Shown above as BELT-DLV-GEMM/01-105/6-WA

#### King Sleeper Sofa (2.1-2.2)

Available with any selection of Stock Options.

#### Queen Sleeper Loveseat (2.5-2.6)

Available with any selection of Stock Options.

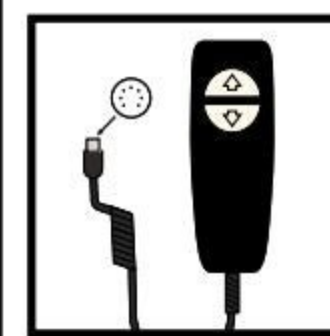
#### King Sleeper Sofa (Power) (2.3-2.4)

Available with any selection of Stock Options. This sleeper comes standard with a wireless remote (AAA batteries included).

#### Queen Sleeper Loveseat (Power) (2.7-2.8)

Available with any selection of Stock Options. This sleeper comes standard with a wireless remote (AAA batteries included).

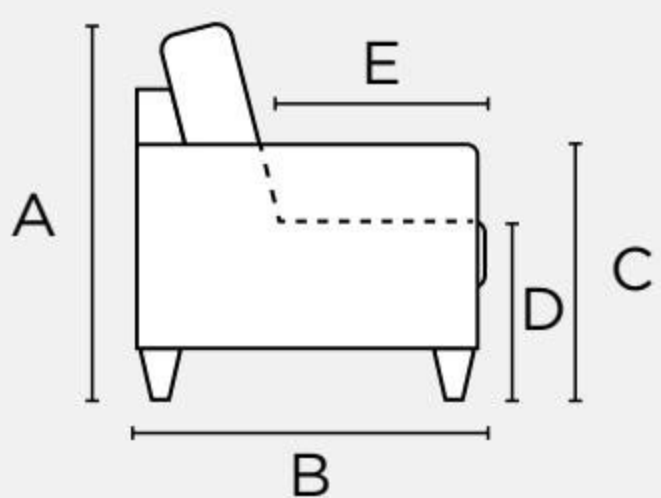
#### + UPGRADE



#### Wired Remote (39.8)

Add a wired remote to your power sleeper. Connects directly to the control box to operate seamlessly.

## SKUs & Dimensions



### General Measures\*

A 35 B 40.5 C 24.75

D 17.75 E 21.75

Mattress Thickness 5  
Open From Wall 89.75

\*All measures are in Inches



**BELT-DLV**  
King Sofa

Width 89.25  
Bed Size 76x80



**BELT-DLV-PWR**  
King Sofa

Width 89.25  
Bed Size 76x80



**BELT-CLV**  
Queen Loveseat

Width 73.25  
Bed Size 60x80



**BELT-CLV-PWR**  
Queen Loveseat

Width 73.25  
Bed Size 60x80





# Level Function

This single motion sleeper function features assisted opening and soft close operation

# Charleston



## Stock Options

### Upholstery & Legs

See all material specifications on page 46



**Grade A**  
Oliver 173



**Walnut**  
Leg 104/6  
W 2.75 x H 2.25

### Configurations

Shown above as CHAR-DLV-OLIV/173-104/6-WA

#### King Sleeper Sofa (4.1)

Available with any selection of Stock Options.

#### Queen Sleeper Loveseat (4.2)

Available with any selection of Stock Options.



### Pair it with Rolled

Choose a recliner to add additional non-sleeper seats to your home.

See details on page 37

#### + ADD-ON



#### King Mattress Protector (39.6)

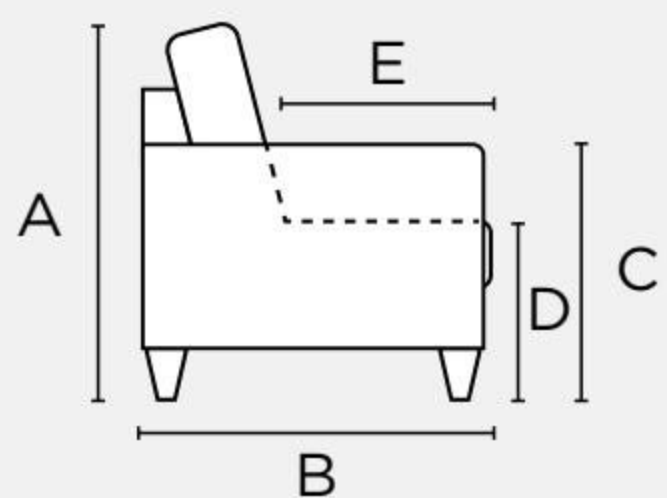
A Mattress Protector adds a layer of comfort to your sleeper, for both the body and the mind.



#### Queen Mattress Protector (39.7)

A Mattress Protector adds a layer of comfort to your sleeper, for both the body and the mind. **page 44**

## SKUs & Dimensions



### General Measures\*

A 34.75 B 39.75 C 26

D 17.75 E 22

Mattress Thickness 5  
Open From Wall 89.75

\*All measures are in Inches



**CHAR-DLV**  
King Sofa

Width 91.25  
Bed Size 76x80



**CHAR-CLV**  
Queen Loveseat

Width 75.25  
Bed Size 60x80



**CHAR-BLV**  
Full XL Loveseat

Width 69  
Bed Size 55x80



**CHAR-ALV**  
Cot Chair

Width 45.25  
Bed Size 30x80



### Need a Different Size, Upholstery, or Leg?

Use our **Made to Order Program** to choose any size, upholstery or compatible leg style and color.

# Fantasy

## Level Function









This single motion sleeper function features assisted opening and soft close operation



## Stock Options

### Upholstery & Legs

See all material specifications on page 46

	<b>Grade A</b> Rene 01 Fabric		<b>Grade A</b> Rene 04 Fabric
	<b>Grade A</b> Fun 496 Fabric		<b>Grade A</b> Fun 481 Fabric
	<b>Grade 3000</b> Natural Soft 000 Leather		<b>Grade 4000</b> Labrador 05 Leather
	<b>Walnut</b> Leg 104/6 W 2.75 x H 2.25		<b>Chrome</b> Leg 217/6 W 3.25 x H 2.25

### Configurations

Shown above as FANT-DLV-RENE/04-217/6-CR

#### King Sleeper Sofa (12.13-12.20)

Available with fabric selections of Rene 01, Rene 04, Fun 496, Fun 481, with Walnut or Chrome legs.

#### Queen Sleeper Loveseat (12.21-12.32)

Available with any selection of Stock Options.

#### Full XL Sleeper Loveseat (12.9-12.12)

Available with fabric selections of Rene 01, Rene 04, with Walnut or Chrome legs.

#### Cot Sleeper Chair (12.1-12.8)

Available with fabric selections of Rene 01, Rene 04, Fun 496, Fun 481, with Walnut or Chrome legs.

#### + ADD-ON



#### Mattress Protector (39.4-39.7)

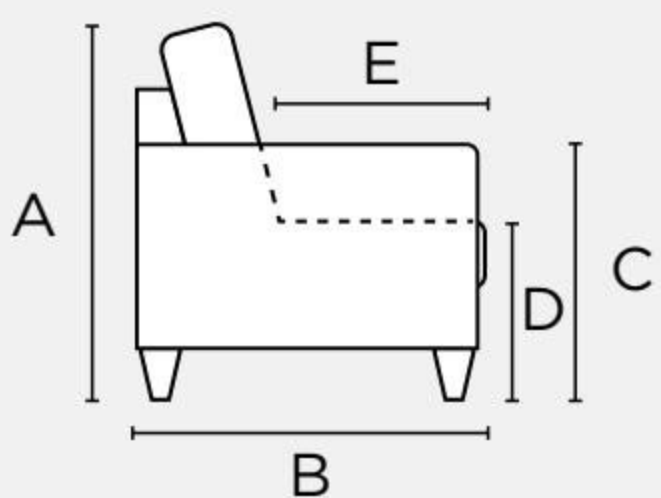
A Mattress Protector adds a layer of comfort to your sleeper, for both the body and the mind. **page 44**



#### Pair it with Track

Choose a recliner to add additional non-sleeper seats to your home. See details on page 37

## SKUs & Dimensions



### General Measures\*

A 35 B 39.25 C 26.5

D 17.75 E 22.5

Mattress Thickness 5  
Open From Wall 89.75

\*All measures are in Inches



**FANT-DLV**  
King Sofa

Width 86.5  
Bed Size 76x80



**FANT-CLV**  
Queen Loveseat

Width 70.5  
Bed Size 60x80



**FANT-BLV**  
Full XL Loveseat

Width 64.25  
Bed Size 55x80



**FANT-ALV**  
Cot Chair

Width 40.25  
Bed Size 30x80



# Level Function

This single motion sleeper function features assisted opening and soft close operation

# Leon



## Stock Options

### Upholstery & Legs

See all material specifications on page 46

	<b>Grade A</b> Amore 31 Fabric		<b>Walnut</b> Leg 132/6 W 12.25 x H 2.25
	<b>Grade A</b> Luna 96 Welting Fabric		

### Configurations

Shown above as LEON-CLV-AMOR/31-132/6-WA

### Queen Sleeper Loveseat (23.1)

Available with any selection of Stock Options.

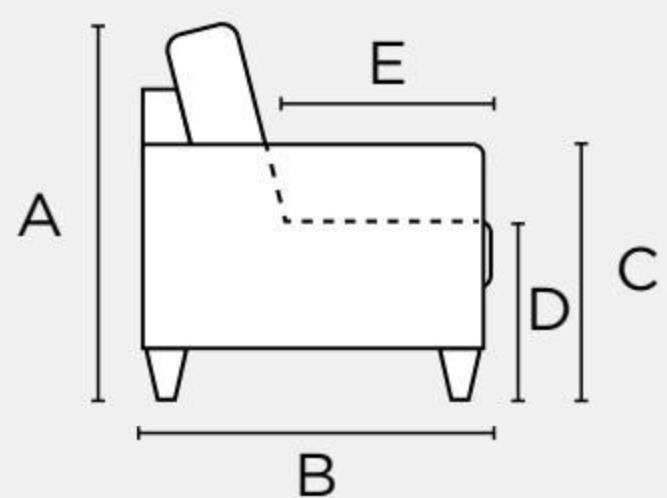
#### + ADD-ON



### Mattress Protector (39.7)

A Mattress Protector adds a layer of comfort to your sleeper, for both the body and the mind. **page 44**

## SKUs & Dimensions



**LEON-CLV**  
Queen Loveseat

Width 71.25  
Bed Size 60x80



### General Measures\*

A 34.25 B 40.5 C 24.75

D 17.75 E 21.75

Mattress Thickness 5  
Open From Wall 89.75

\*All measures are in Inches

### Need a Different Size, Upholstery, or Leg?



**CHAR-B**  
Loveseat

Width 58.75  
A 33.75 B 36.5



**CHAR-A**  
Chair

Width 35  
A 33.75 B 36.5

Use our **Made to Order Program** to choose any size, upholstery or compatible leg style and color.

This single motion sleeper function features assisted opening and soft close operation



## Stock Options

### Upholstery & Legs

See all material specifications on page 46



**Grade 1000**  
Soft Antique 0000  
Leather



**Grade 1000**  
Soft Antique 4100  
Leather



**Chrome**  
Leg 217/6  
W 3.25 x H 2.25



**Standard for Power**  
Wireless Remote  
**Includes**  
x2 AAA Batteries

### Configurations

Shown above as WEST-CLV-PWR-SA/0000-217/6-CR

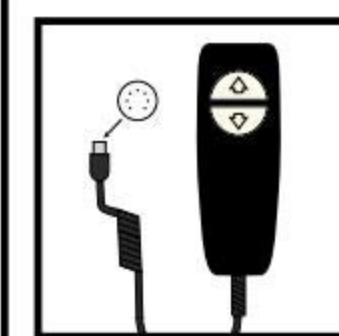
#### Queen Sleeper Loveseat (38.2-38.3)

Available with any selection of Stock Options.

#### Queen Sleeper Loveseat (Power) (38.1)

Only Available in Soft Antique 0000, with the Chrome legs.  
Standard with a wireless remote (AAA batteries included).

#### + UPGRADE



#### Wired Remote (39.8)

Add a wired remote to your power sleeper. Connects directly to the control box to operate seamlessly.

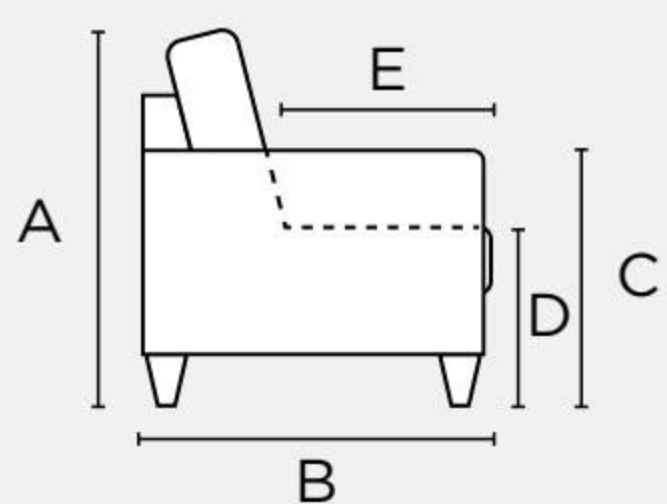
#### + ADD-ON



#### Mattress Protector (39.7)

A Mattress Protector adds a layer of comfort to your sleeper, for both the body and the mind. **page 44**

## SKUs & Dimensions



### General Measures\*

A 35 B 42.5 C 24.5

D 17.75 E 21.75

Mattress Thickness 5  
Open From Wall 89.75

\*All measures are in Inches



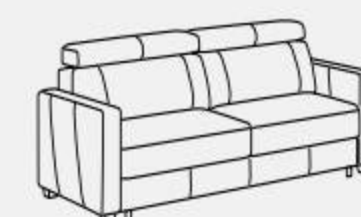
**WEST-DLV**  
Queen Loveseat

Width 74.5  
Bed Size 60x80



**WEST-DLV-PWR**  
Queen Loveseat

Width 74.5  
Bed Size 60x80



**WEST-BLV / WEST-BLV-PWR**  
Full XL Loveseat

Width 72  
Bed Size 55x80



**WEST-ALV / WEST-ALV-PWR**  
Cot Chair

Width 46.75  
Bed Size 30x80



Need a Different Size, Upholstery, or Leg?

Use our **Made to Order Program** to choose any size, upholstery or compatible leg style and color.

# Hybrid Deluxe Function

This single motion sleeper function features deep seat comfort and auto-folding back to make the bed.

# Haven



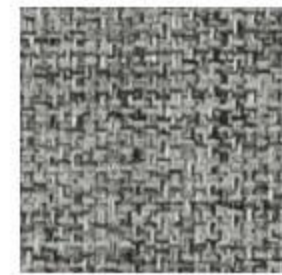
## Stock Options

### Upholstery & Legs

See all material specifications on page 46



**Grade A**  
Atlantic 01  
**R-PES**  
100% Recycled Fabric



**Grade A**  
Atlantic 07  
**R-PES**  
100% Recycled Fabric



**Walnut**  
Leg 126/12  
W 1.5 x H 4.75



**Brushed Metal**  
Leg 236/12  
W .75 x H 4.75

### Configurations

Shown above as HAVE-DHD-ATLA/01-126/12-WA

#### King Sleeper Sofa (20.1-20.4)

Available with any selection of Stock Options.

#### Queen Sleeper Loveseat (20.5-20.8)

Available with any selection of Stock Options.

#### + ADD-ON



#### King Mattress Protector (39.6)

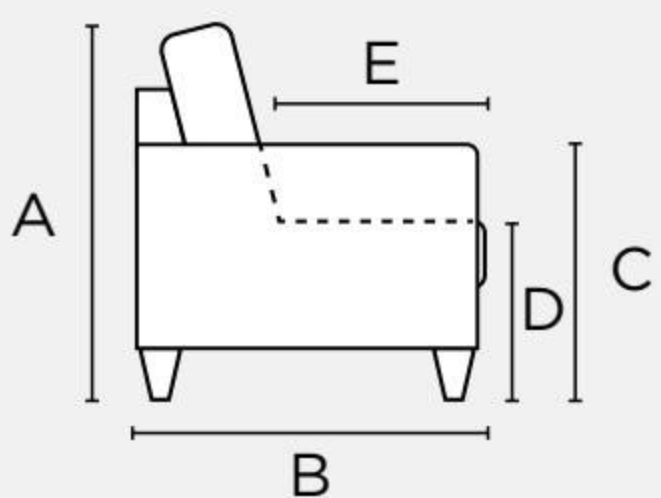
A Mattress Protector adds a layer of comfort to your sleeper, for both the body and the mind.



#### Queen Mattress Protector (39.7)

A Mattress Protector adds a layer of comfort to your sleeper, for both the body and the mind. **page 44**

## SKUs & Dimensions



### General Measures\*

A 35.5 B 42.25 C 27.25

D 17.75 E 23.5

Mattress Thickness 5

Open From Wall 88.5

\*All measures are in Inches



**HAVE-DHD**  
King Sofa

Width 84.75  
Bed Size 76x80



**HAVE-CHD**  
Queen Loveseat

Width 67.75  
Bed Size 60x80



# Casey

## Hybrid Function

This dual motion sleeper function is easy to operate and offers a conventional sleeping direction



## Stock Options

### Upholstery & Legs

See all material specifications on page 46



**Grade A**  
Rene 01  
Fabric



**Grade A**  
Rene 03  
Fabric



**Walnut**  
Leg 104/6  
W 2.75 x H 2.25

### Configurations

Shown above as CASE-DLV-RENE/01-104/6-WA

#### King Sleeper Sofa (3.3-3.4)

Available with any selection of Stock Options.

#### Queen Sleeper Loveseat (3.5-3.6)

Available with any selection of Stock Options.

#### Full XL Sleeper Loveseat (3.2)

Only available with Rene 01 and the Walnut leg.

#### Cot Sleeper Chair (3.1)

Only available with Rene 01 and the Walnut leg.



### Pair it with Rolled

Choose a recliner to add additional non-sleeper seats to your home.

See details on page 37

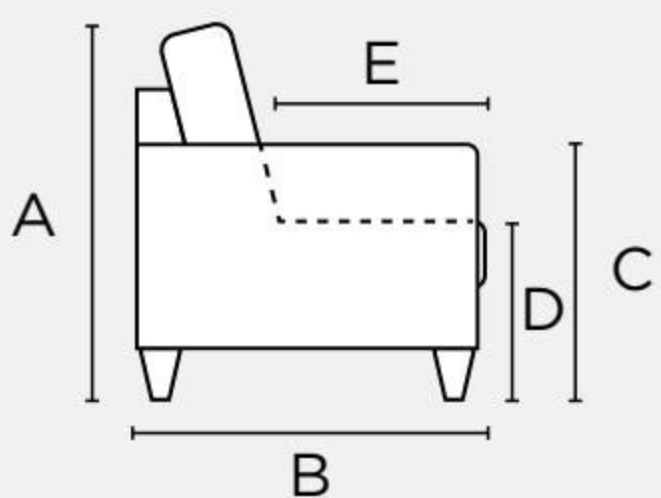
#### + ADD-ON



#### Mattress Protector (39.4-39.7)

A Mattress Protector adds a layer of comfort to your sleeper, for both the body and the mind. **page 44**

## SKUs & Dimensions



### General Measures\*

A 33.5 B 39.25 C 23.5

D 17 E 21.75

Mattress Thickness 5  
Open From Wall 86.5

\*All measures are in Inches



**CASE-DHY**  
King Sofa

Width 91  
Bed Size 76x80



**CASE-CHY**  
Queen Loveseat

Width 74.5  
Bed Size 60x80



**CASE-BHY**  
Full XL Loveseat

Width 69.75  
Bed Size 55x80



**CASE-AHY**  
Cot Chair

Width 44.5  
Bed Size 30x80



# Hybrid Function

This dual motion sleeper function is easy to operate and offers a conventional sleeping direction

# Hampton



## Stock Options

### Upholstery & Legs

See all material specifications on page 46



**Grade A**  
Rodeo 104  
Fabric



**Chrome**  
Leg 217/6  
W 3.25 x H 2.25



**Walnut**  
Leg 104/6  
W 2.75 x H 2.25

### Configurations

Shown above as HAMP-CHY+FOU-RODE/104-217/6-CR

#### King Sleeper Sofa (17.1-17.2)

Available with any selection of Stock Options.

#### Queen Sleeper Loveseat (17.3-17.4)

Available with any selection of Stock Options.

#### Queen Sleeper Loveseat + Chaise (17.5-17.6)

Available with any selection of Stock Options.. The storage chaise is reversible.

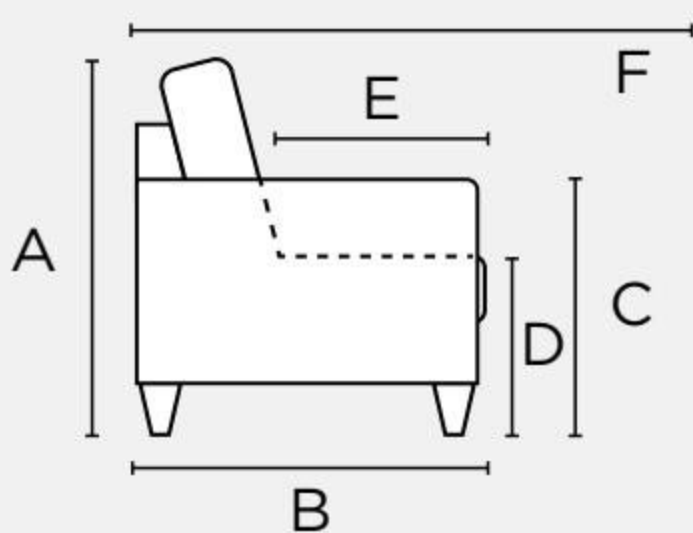
#### + ADD-ON



#### Mattress Protector (39.6-39.7)

A Mattress Protector adds a layer of comfort to your sleeper, for both the body and the mind. **page 44**

## SKUs & Dimensions



### General Measures\*

A 35 B 39.75 C 22.75

D 17 E 21.75 F 59.75

Mattress Thickness 5

Open From Wall 86.5

\*All measures are in Inches



**HAMP-DHY**  
King Sofa

Width 86.5  
Bed Size 76x80



**HAMP-CHY**  
Queen Loveseat

Width 70.5  
Bed Size 60x80



**HAMP-CHY+FOU**  
Queen Sectional

Width 99.5  
Bed Size 60x80



### Need a Different Size, Upholstery, or Leg?



**HAMP-BHY**  
Full XL Loveseat

Width 65.75  
Bed Size 55x80

Use our **Made to Order Program** to choose any size, upholstery or compatible leg style and color.

# Pint

## Hybrid Function

This dual motion sleeper function is easy to operate and offers a conventional sleeping direction



## Stock Options

### Upholstery & Legs

See all material specifications on page 46



**Grade A**  
Rene 03  
Fabric



**Walnut**  
Leg 110/6  
W 2 x H 2.25

### Configurations

Shown above as PINT-BHY+FO-RENE/03-110/6-WA

#### Full XL Sleeper Loveseat + Chaise (30.2)

Available with any selection of Stock Options. **This chaise is not reversible.** Select the correct SKU when ordering.

#### Chaise + Full XL Sleeper Loveseat (30.1)

Available with any selection of Stock Options. **This chaise is not reversible.** Select the correct SKU when ordering.

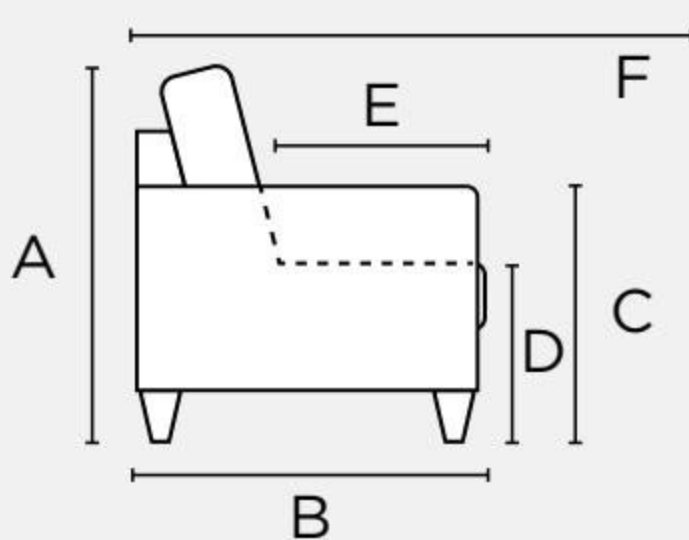
#### + ADD-ON



#### Mattress Protector (39.5)

A Mattress Protector adds a layer of comfort to your sleeper, for both the body and the mind. **page 44**

## SKUs & Dimensions



### General Measures\*

A 33 B 39.25 C 24

D 17 E 20.5 F 45.25

Mattress Thickness 5

Open From Wall 86.5

\*All measures are in Inches



**PINT-BHY+FO**  
**King Sofa**

Width 81  
Bed Size 55x80



**PINT-FO+BHY**  
**Queen Loveseat**

Width 81  
Bed Size 55x80





# Nest Function

This dual motion sleeper function features a two section bed, allowing you to sit, sleep, or both at once.


# Aura



## Stock Options

### Upholstery & Legs

See all material specifications on page 46

 **Grade A**  
Atlantic 07  
**R-PES**  
100% Recycled Fabric

 **Walnut**  
Leg 127/9  
W 2.25 x H 3.5

### Configurations

Shown above as AURA-CNT-ATLA/07-104/9-WA

### Queen Sleeper Loveseat (1.1)

Available with any selection of Stock Options.

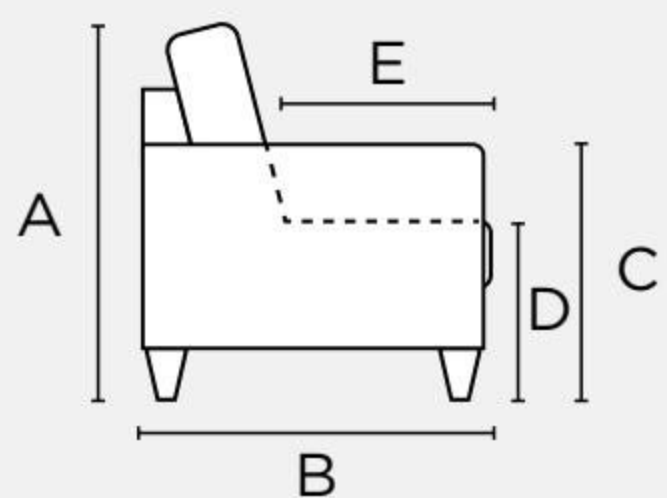
**+ ADD-ON**



### Queen Mattress Protector (39.7)

A Mattress Protector adds a layer of comfort to your sleeper, for both the body and the mind. **page 44**

## SKUs & Dimensions



### General Measures\*

A 33.75 B 39.25 C 26.5

D 18 E 22

Mattress Thickness 5  
Open From Wall 84.75

\*All measures are in Inches

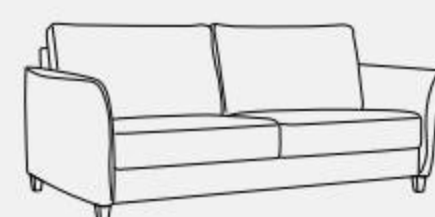


**AURA-CNT**  
Queen Loveseat

Width 70.5  
Bed Size 60x80



### Need a Different Size, Upholstery, or Leg?



**AURA-DNT**  
King Sofa

Width 86.25  
Bed Size 76x80



**AURA-BNT**  
Full XL Loveseat

Width 65.25  
Bed Size 55x80



**AURA-ANT**  
Cot Chair

Width 40.25  
Bed Size 30x80

Use our **Made to Order Program** to choose any size, upholstery or compatible leg style and color.

# Elfin

## Nest Function

This dual motion sleeper function features a two section bed, allowing you to sit, sleep, or both at once.



## Stock Options

### Upholstery & Legs

See all material specifications on page 46



**Grade A**  
Rene 01  
Fabric



**Grade A**  
Luna 35  
Fabric



**Walnut**  
Leg 126/9  
W 1.5 x H 3.5



**Chrome**  
Leg 234/9  
W 1.5 x H 3.5

### Configurations

Shown above as ELFI-CNT-LUNA/35-126/9-WA

#### King Sleeper Sofa (8.10-8.13)

Available with any selection of Stock Options.

#### Queen Sleeper Loveseat (8.14-8.17)

Available with any selection of Stock Options.

#### Full XL Sleeper Loveseat (8.5-8.9)

Available with any selection of Stock Options.

#### Cot Sleeper Chair (8.1-8.4)

Available with any selection of Stock Options.

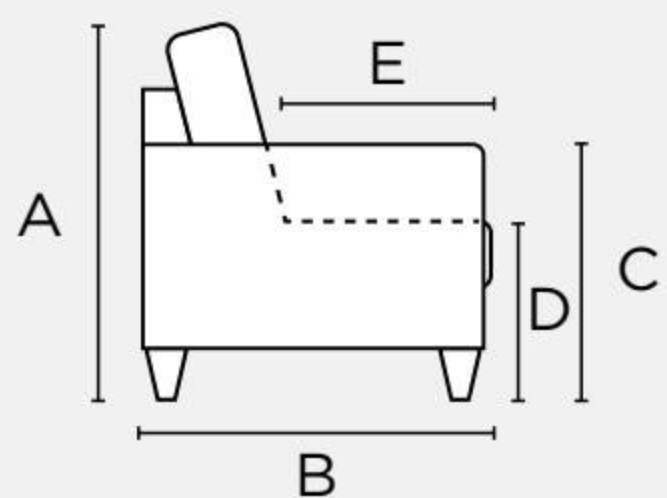
#### + ADD-ON



#### Mattress Protector (39.4-39.7)

A Mattress Protector adds a layer of comfort to your sleeper, for both the body and the mind. **page 44**

## SKUs & Dimensions



### General Measures\*

A 32.75 B 39.75 C 25.25

D 17.75 E 21.75

Mattress Thickness 5  
Open From Wall 84.75

\*All measures are in Inches



**ELFI-DNT**  
King Sofa

Width 80  
Bed Size 76x80



**ELFI-CNT**  
Queen Loveseat

Width 63.75  
Bed Size 60x80



**ELFI-BNT**  
Full XL Loveseat

Width 59  
Bed Size 55x80



**ELFI-ANT**  
Cot Chair

Width 33.75  
Bed Size 30x80



# Nest Function

This dual motion sleeper function features a two section bed, allowing you to sit, sleep, or both at once.

# Erika



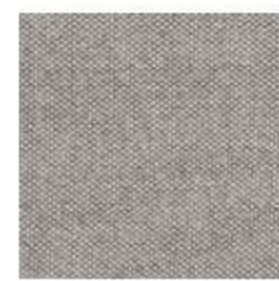
## Stock Options

### Upholstery & Legs

See all material specifications on page 46



**Grade A**  
Luna 29  
Fabric



**Grade A**  
Luna 33  
Fabric



**Walnut**  
Leg 126/9  
W 1.5 x H 3.5

### Configurations

Shown above as ERIK-CNT-LUNA/29-126/9-WA

#### Queen Sleeper Loveseat (10.5-10.6)

Available with any selection of Stock Options.

#### Full XL Sleeper Loveseat (10.3-10.4)

Available with any selection of Stock Options.

#### Cot Sleeper Chair (10.1-10.2)

Available with any selection of Stock Options.

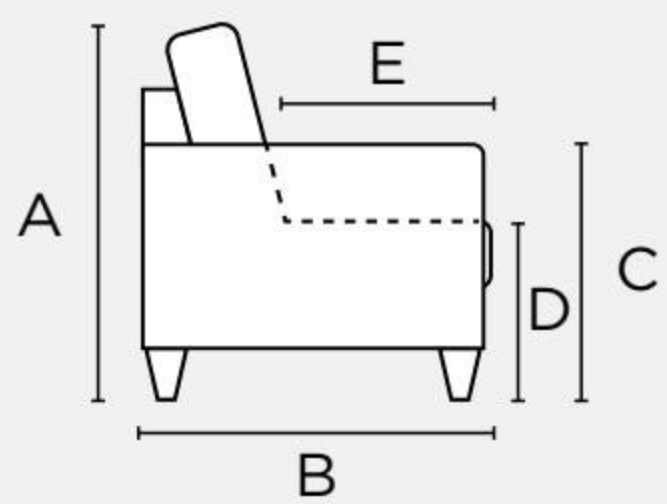
#### + ADD-ON



#### Mattress Protector (39.4,39.5,39.7)

A Mattress Protector adds a layer of comfort to your sleeper, for both the body and the mind. **page 44**

## SKUs & Dimensions



### General Measures\*

A 32.75 B 39.75 C 25.5

D 17.25 E 21.75

Mattress Thickness 5  
Open From Wall 84.75

\*All measures are in Inches



**ERIK-CNT**  
Queen Loveseat

Width 70.75  
Bed Size 60x80



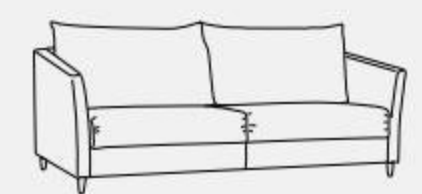
**ERIK-BNT**  
Full XL Loveseat

Width 63.5  
Bed Size 55x80



**ERIK-ANT**  
Cot Chair

Width 38.25  
Bed Size 30x80



**ERIK-DNT**  
King Sofa

Width 83.75  
Bed Size 76x80



Need a Different Size,  
Upholstery, or Leg?

Use our **Made to Order Program** to choose any size, upholstery or compatible leg style and color.

# Ethos

## Nest Function

This dual motion sleeper function features a two section bed, allowing you to sit, sleep, or both at once.



## Stock Options

### Upholstery & Legs

See all material specifications on page 46



**Grade A**  
Oliver 173  
Fabric



**Grade A**  
Oliver 515  
Fabric



**Walnut**  
Leg 126/9  
W 1.5 x H 3.5



**Chrome**  
Leg 234/9  
W 1.5 x H 3.5

### Configurations

Shown above as ETHO-DNT-OLIV/173-234/9-CR

#### King Sleeper Sofa (11.9-11.12)

Available with any selection of Stock Options.

#### Queen Sleeper Loveseat (11.13-11.16)

Available with any selection of Stock Options.

#### Full XL Sleeper Loveseat (11.5-11.8)

Available with any selection of Stock Options.

#### Cot Sleeper Chair (11.1-11.4)

Available with any selection of Stock Options.

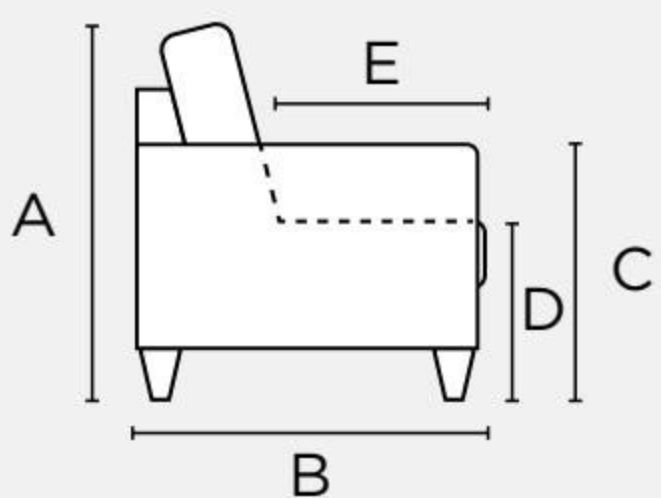
#### + ADD-ON



#### Mattress Protector (39.4-39.7)

A Mattress Protector adds a layer of comfort to your sleeper, for both the body and the mind. **page 44**

## SKUs & Dimensions



### General Measures\*

A 34.75 B 39.75 C 24

D 17.25 E 20

Mattress Thickness 5  
Open From Wall 84.75

\*All measures are in Inches



**ETHO-DNT**  
King Sofa

Width 82  
Bed Size 76x80



**ETHO-CNT**  
Queen Loveseat

Width 66.25  
Bed Size 60x80



**ETHO-BNT**  
Full XL Loveseat

Width 61.5  
Bed Size 55x80



**ETHO-ANT**  
Cot Chair

Width 36.25  
Bed Size 30x80



# Nest Function

This dual motion sleeper function features a two section bed, allowing you to sit, sleep, or both at once.

# Gloria



## Stock Options

### Upholstery & Legs

See all material specifications on page 46



**Grade A**  
Rene 02  
Fabric



**Walnut**  
Leg 104/9  
W 2.75 x H 3.5

### Configurations

Shown above as GLOR-CNT-RENE/02-104/9-WA

### Queen Sleeper Loveseat (15.1)

Available with any selection of Stock Options.

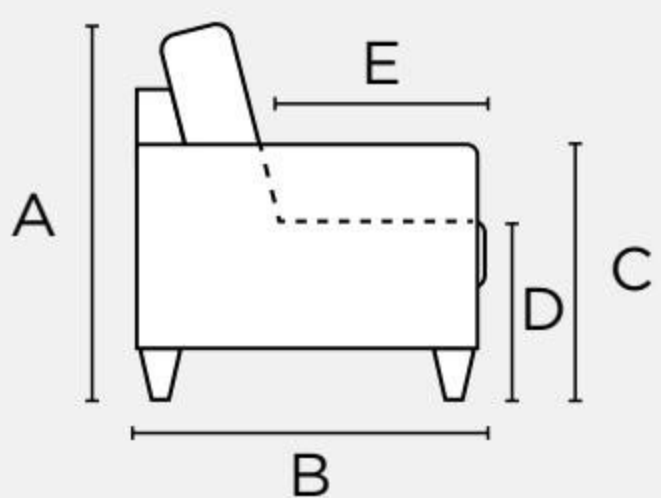
**+ ADD-ON**



### Mattress Protector (39.7)

A Mattress Protector adds a layer of comfort to your sleeper, for both the body and the mind. **page 44**

## SKUs & Dimensions



### General Measures\*

A 33.75 B 39.75 C 23.5

D 17.25 E 22

Mattress Thickness 5  
Open From Wall 84.75

\*All measures are in Inches

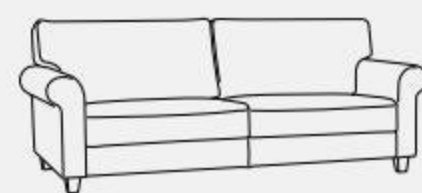


**GLOR-CNT**  
Queen Loveseat

Width 74.5  
Bed Size 60x80

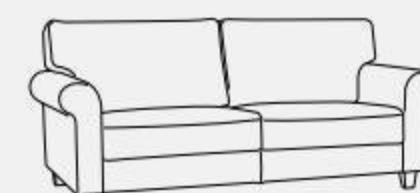


### Need a Different Size, Upholstery, or Leg?



**GLOR-DNT**  
King Sofa

Width 90.25  
Bed Size 76x80



**GLOR-BNT**  
Full XL Loveseat

Width 69.25  
Bed Size 55x80



**GLOR-ANT**  
Cot Chair

Width 44  
Bed Size 30x80

Use our **Made to Order Program** to choose any size, upholstery or compatible leg style and color.

# Harold

## Nest Function

This dual motion sleeper function features a two section bed, allowing you to sit, sleep, or both at once.



## Stock Options

### Upholstery & Legs

See all material specifications on page 46



**Grade A**  
Oliver 173  
Fabric



**Walnut**  
Leg 127/9  
W 2.25 x H 3.5

### Configurations

Shown above as HARO-DNT-OLIV/173-127/9-WA

#### King Sleeper Sofa (18.1)

Available with any selection of Stock Options.

#### Queen Sleeper Loveseat (18.2)

Available with any selection of Stock Options.



### Pair it with Welled

Choose a recliner to add additional non-sleeper seats to your home.

See details on page 37

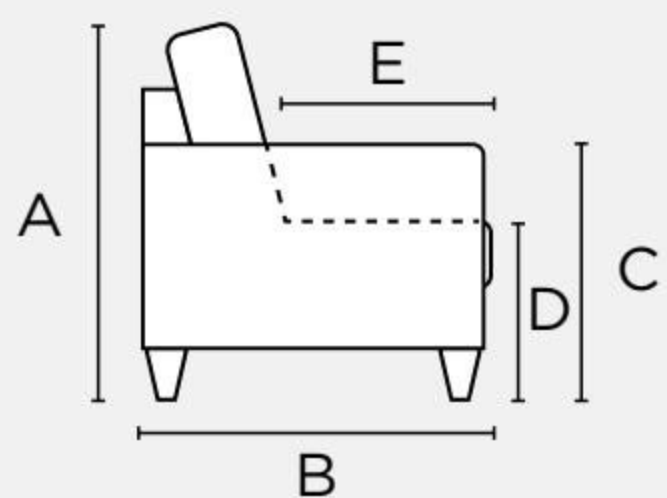
#### + ADD-ON



#### Mattress Protector (39.6-39.7)

A Mattress Protector adds a layer of comfort to your sleeper, for both the body and the mind. **page 44**

## SKUs & Dimensions



### General Measures\*

A 36.5 B 39.75 C 25.5

D 18 E 21.75

Mattress Thickness 5  
Open From Wall 84.75

\*All measures are in Inches



**HARO-DNT**  
King Sofa

Width 85.75  
Bed Size 76x80



**HARO-CNT**  
Queen Loveseat

Width 70.5  
Bed Size 60x80



# Nest Function

This dual motion sleeper function features a two section bed, allowing you to sit, sleep, or both at once.




# Harper

## Stock Options

### Upholstery & Legs

See all material specifications on page 46

 **Grade A**  
Atlantic 03  
**R-PES**  
100% Recycled Fabric

 **Walnut**  
Leg 104/9  
W 2.75 x H 3.5

### Configurations

Shown above as HARP-BNT+FOU-ATLA/03-104/9-WA

### Full XL Sleeper Loveseat + Chaise (19.1)

Available with any selection of Stock Options. **The storage chaise is reversible.**

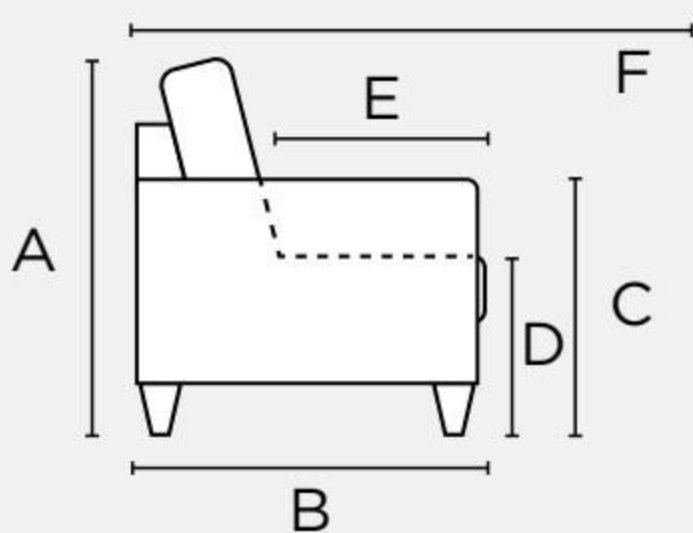
#### + ADD-ON



### Mattress Protector (39.5)

A Mattress Protector adds a layer of comfort to your sleeper, for both the body and the mind. **page 44**

## SKUs & Dimensions



**HARP-BNT-FOU**  
**Full XL Sectional**

Width 91  
Bed Size 55x80



### General Measures\*

A 32.75 B 39.25 C 24.75

D 17.75 E 21.75 F 61

Mattress Thickness 5  
Open From Wall 84.75

\*All measures are in Inches

# Hugo

## Nest Function

This dual motion sleeper function features a two section bed, allowing you to sit, sleep, or both at once.



## Stock Options

### Upholstery & Legs

See all material specifications on page 46



**Grade A**  
Atlantic 03  
**R-PES**  
100% Recycled Fabric



**Wenge**  
Leg 104/9  
W 2.75 x H 3.5

### Configurations

Shown above as HUGO-DNT+H+B-ATLA/03-104/9-WE

### King Sleeper Sectional (21.1)

Available with any selection of Stock Options. The sectional parts are reversible.

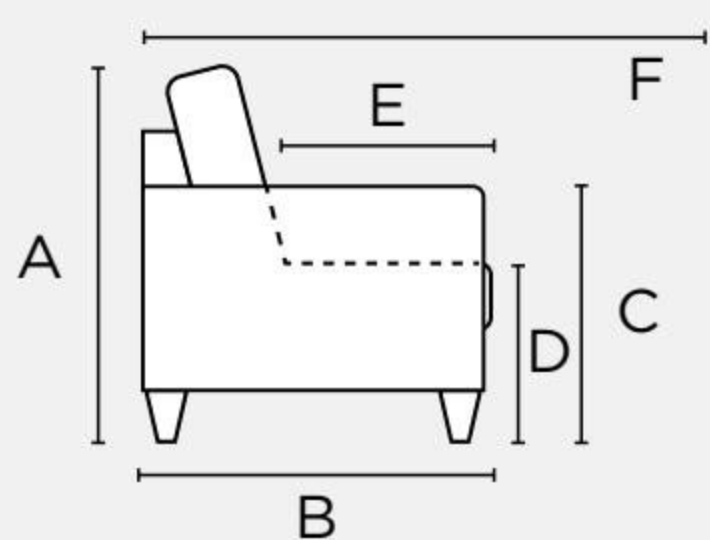
#### + ADD-ON



### Mattress Protector (39.6)

A Mattress Protector adds a layer of comfort to your sleeper, for both the body and the mind. **page 44**

## SKUs & Dimensions



**HUGO-DNT+H+B**  
**King Sectional**

**Width 121.25**  
**Bed Size 76x80**

### General Measures\*

A 32.75 B 39.25 C 24.75

D 17.75 E 21.75 F 76.75

**Mattress Thickness 5**

**Open From Wall 84.75**

\*All measures are in Inches





# Nest Function

This dual motion sleeper function features a two section bed, allowing you to sit, sleep, or both at once.

# Jamie



## Stock Options

### Upholstery & Legs

See all material specifications on page 46



### Configurations

Shown above as JAMI-CNT-LAB/24-234/9-CR

### Queen Sleeper Loveseat (22.1-22.4)

Available with any selection of Stock Options.

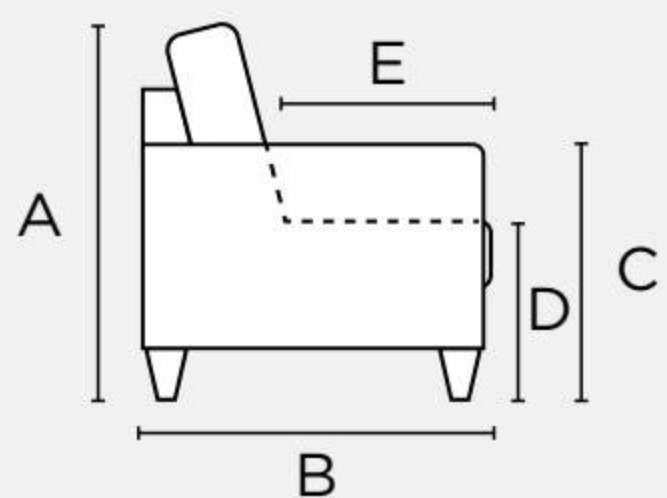
#### + ADD-ON



### Mattress Protector (39.7)

A Mattress Protector adds a layer of comfort to your sleeper, for both the body and the mind. [page 44](#)

## SKUs & Dimensions



### General Measures\*

A 33.5 B 39.75 C 25.25

D 16.5 E 22

Mattress Thickness 5  
Open From Wall 84.75

\*All measures are in Inches



**JAMI-CNT**  
Queen Loveseat

Width 70.75  
Bed Size 60x80

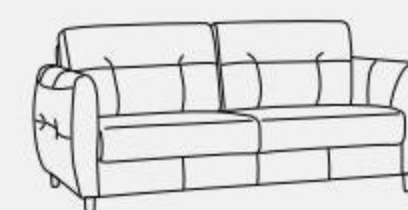


### Need a Different Size, Upholstery, or Leg?



**JAMI-DNT**  
King Sofa

Width 87  
Bed Size 76x80



**JAMI-BNT**  
Full XL Loveseat

Width 66.25  
Bed Size 55x80



**JAMI-ANT**  
Cot Chair

Width 41  
Bed Size 30x80

Use our **Made to Order Program** to choose any size, upholstery or compatible leg style and color.

# Monika

## Nest Function

This dual motion sleeper function features a two section bed, allowing you to sit, sleep, or both at once.



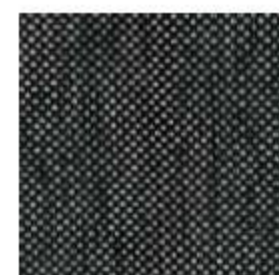
## Stock Options

### Upholstery & Legs

See all material specifications on page 46



**Grade A**  
Fun 496  
Fabric



**Grade A**  
Loule 630  
Fabric



**Grade A**  
Oliver 173  
Fabric



**Grade A**  
Oliver 515  
Fabric



**Walnut**  
Leg 104/9  
W 2.75 x H 3.5



**Chrome**  
Leg 234/9  
W 1.5 x H 3.5



### Pair it with Sloped

Choose a recliner to add additional non-sleeper seats to your home.

See details on page 37

### Configurations

Shown above as MONI-DNT-OLIV/173-104/9-WA

#### King Sleeper Sofa (26.17-26.24)

Available with any selection of Stock Options.

#### Queen Sleeper Loveseat (26.25-26.32)

Available with any selection of Stock Options.

#### Full XL Sleeper Loveseat (26.9-26.16)

Available with any selection of Stock Options.

#### Cot Sleeper Chair (26.1-26.8)

Available with any selection of Stock Options.

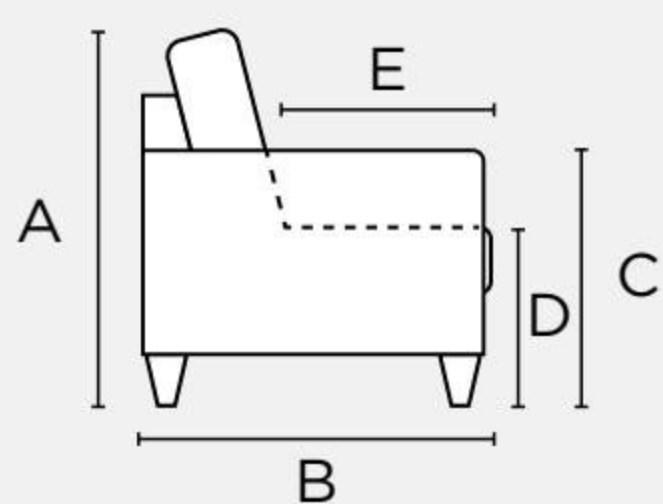
#### + ADD-ON



#### Mattress Protector (39.4-39.7)

A Mattress Protector adds a layer of comfort to your sleeper, for both the body and the mind. **page 44**

## SKUs & Dimensions



### General Measures\*

A 32.75 B 39.75 C 24.75

D 17.75 E 20.75

Mattress Thickness 5  
Open From Wall 84.75

\*All measures are in Inches



**MONI-DNT**  
King Sofa

Width 86.5  
Bed Size 76x80



**MONI-CNT**  
Queen Loveseat

Width 70  
Bed Size 60x80



**MONI-BNT**  
Full XL Loveseat

Width 65  
Bed Size 55x80



**MONI-ANT**  
Cot Chair

Width 39.75  
Bed Size 30x80



# Nest Function

This dual motion sleeper function features a two section bed, allowing you to sit, sleep, or both at once.

# Nico



## Stock Options

### Upholstery & Legs

See all material specifications on page 46



**Grade A**  
Loule 616  
Fabric



**Grade A**  
Rene 04  
Fabric



**Grade 1000**  
Soft Antique 4340  
Leather



**Walnut**  
Leg 104/9  
W 2.75 x H 3.5



**Chrome**  
Leg 234/9  
W 1.5 x H 3.5



### Pair it with Track

Choose a recliner to add additional non-sleeper seats to your home.

See details on page 37

### Configurations

Shown above as NICO-CNT-SA/4340-234/9-CR

#### King Sleeper Sofa (27.9-27.12)

Available with fabric Stock Options.

#### Queen Sleeper Loveseat (27.13-27.18)

Available with any selection of Stock Options.

#### Full XL Sleeper Loveseat (27.5-27.8)

Available with fabric Stock Options.

#### Cot Sleeper Chair (27.1-27.4)

Available with fabric Stock Options.

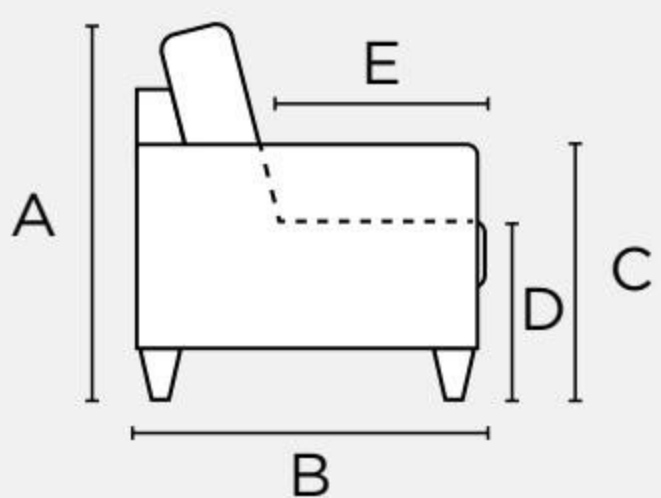
#### + ADD-ON



#### Mattress Protector (39.4-39.7)

A Mattress Protector adds a layer of comfort to your sleeper, for both the body and the mind. **page 44**

## SKUs & Dimensions



### General Measures\*

A 32.75 B 39.75 C 21.75

D 17.25 E 20.75

Mattress Thickness 5  
Open From Wall 84.75

\*All measures are in Inches



**NICO-DNT**  
King Sofa

Width 85.5  
Bed Size 76x80



**NICO-CNT**  
Queen Loveseat

Width 69.75  
Bed Size 60x80



**NICO-BNT**  
Full XL Loveseat

Width 64.5  
Bed Size 55x80



**NICO-ANT**  
Cot Chair

Width 39.25  
Bed Size 30x80



# Paris

## Nest Function

This dual motion sleeper function features a two section bed, allowing you to sit, sleep, or both at once.



## Stock Options

### Upholstery & Legs

See all material specifications on page 46



**Grade A**  
Rene 04  
Fabric



**Chrome**  
Leg 234/9  
W 1.5 x H 3.5



**Walnut**  
Leg 104/9  
W 2.75 x H 3.5

### Configurations

Shown above as PARI-DNT-RENE/04-234/9-CR

#### King Sleeper Sofa (29.1-29.2)

Available with any selection of Stock Options. **2 ratchet-headrests**

#### Queen Sleeper Loveseat (29.3-29.4)

Available with any selection of Stock Options. **2 ratchet-headrests**



### Pair it with Track

Choose a recliner to add additional non-sleeper seats to your home.

See details on page 37

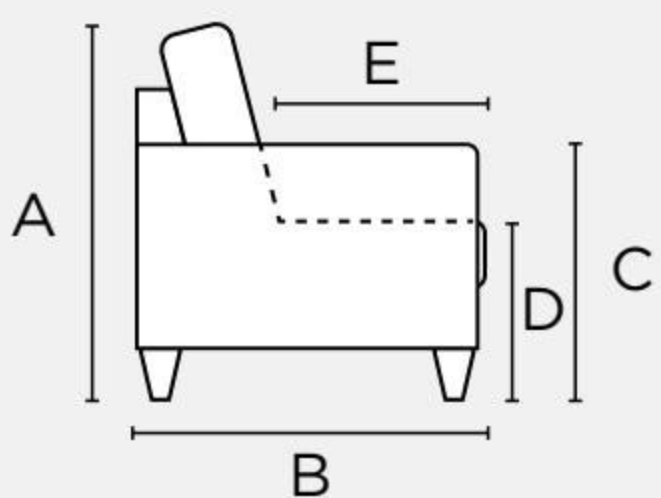
#### + ADD-ON



#### Mattress Protector (39.6-39.7)

A Mattress Protector adds a layer of comfort to your sleeper, for both the body and the mind. **page 44**

## SKUs & Dimensions



### General Measures\*

A 34.5 B 39 C 26.75

D 16.25 E 23.25

Mattress Thickness 5  
Open From Wall 84.75

\*All measures are in Inches



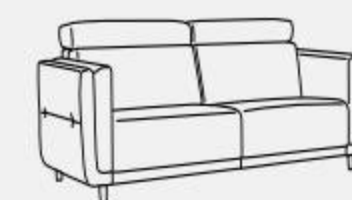
**PARI-DNT**  
King Sofa

Width 91  
Bed Size 76x80



**PARI-CNT**  
Queen Loveseat

Width 74.25  
Bed Size 60x80



**PARI-BNT**  
Full XL Loveseat

Width 69.25  
Bed Size 55x80



**PARI-ANT**  
Cot Chair

Width 45  
Bed Size 30x80



### Need a Different Size, Upholstery, or Leg?

Use our **Made to Order Program** to choose any size, upholstery or compatible leg style and color.

# Move Function

This multi-functional sleeper function features a seat depth adjustment and arm-to-arm narrow bed orientation.

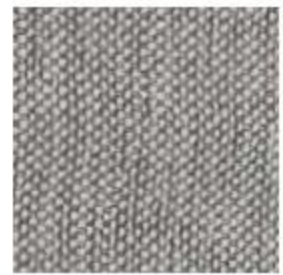
# Halti



## Stock Options

### Upholstery & Legs

See all material specifications on page 46



**Grade A**  
Lens 700  
Fabric



**Walnut**  
Leg 402/6  
W 6.5 x H 2.25



**Grade A**  
Atlantic O2  
**R-PES**  
100% Recycled Fabric

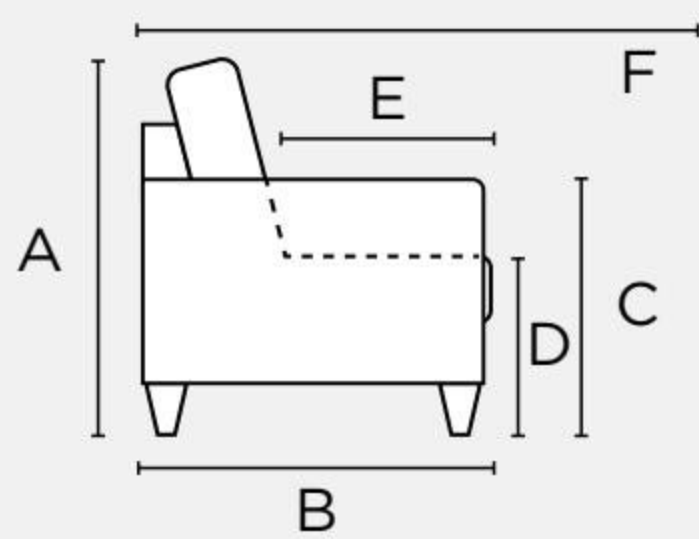
### Configurations

Shown above as HALT-FO+BMV-ATLA/02-402/6-WA

### Full XL Sleeper Sectional (16.1-16.3)

Available with any selection of Stock Options. **Storage chaise features gas springs for assisted opening. 3 ratchet-headrests. Not compatible with mattress protector**

## SKUs & Dimensions



**HALT-BMV+FO**  
**Full XL Sectional**

**Width 104.75**  
**Bed Size 55x80**



**HALT-FO+BMV**  
**Full XL Sectional**

**Width 104.75**  
**Bed Size 55x80**



### General Measures\*

A 32.75 B 38.75 C 27.5

D 17.25 E 23.5 F 69.75

**Mattress Thickness 5**  
**Open From Wall 69.75**

\*All measures are in Inches

# Delta

## Flip Function

This single motion sleeper function features arm-to-arm bed orientation great for narrow spaces



## Stock Options

### Upholstery & Legs

See all material specifications on page 46



**Grade A**  
Rene 03  
Fabric



**Chrome**  
Leg 234/9  
W 1.5 x H 3.5



**Walnut**  
Leg 104/9  
W 2.75 x H 3.5

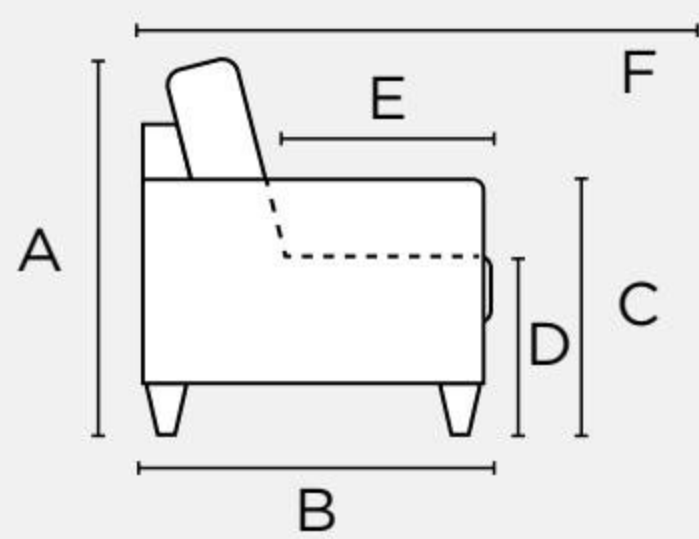
### Configurations

Shown above as DELT-BFP+FOU-RENE/03-234/9-CR

#### Full XL Sleeper Loveseat + Chaise (5.1-5.2)

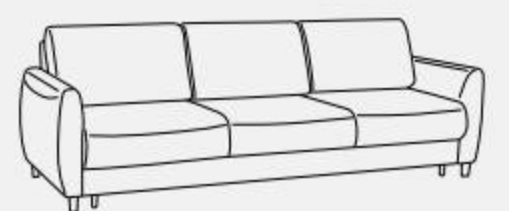
Available with any selection of Stock Options. **The storage chaise is reversible. Includes 3 insert-able lumbar cushions. Not compatible with Mattress Protector.**

## SKUs & Dimensions



**DELT-BFP+FOU**  
Full XL Sectional

Width 103.5  
Bed Size 55x90



**DELT-EFP**  
Full XL Sofa

Width 92.5  
Bed Size 55x90

### General Measures\*

A 35 B 40.25 C 25.25

D 18 E 22.75 F 67.25

Mattress Thickness 5  
Open From Wall 62.25

\*All measures are in Inches

Need a Different Size,  
Upholstery, or Leg?

Use our **Made to Order Program** to choose any size, upholstery or compatible leg style and color.

# Flip Function

This single motion sleeper function features arm-to-arm bed orientation great for narrow spaces

# Free



## Stock Options

### Upholstery & Legs

See all material specifications on page 46



**Grade A**  
Oliver 173  
Fabric



**Walnut**  
Leg 104/9  
W 2.75 x H 3.5

### Configurations

Shown above as FREE-DFP-OLIV/173-104/9-WA

### Full XL Sleeper Sofa (14.1)

Available with any selection of Stock Options.



### Pair it with Sloped

Choose a recliner to add additional non-sleeper seats to your home.

See details on page 37

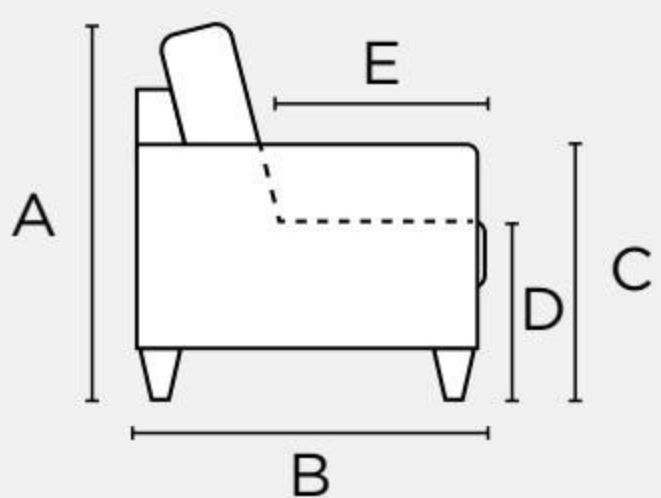
**+ ADD-ON**



### Mattress Protector (39.5)

A Mattress Protector adds a layer of comfort to your sleeper, for both the body and the mind. **page 44**

## SKUs & Dimensions



**FREE-DFP**  
**Full XL Sofa**

Width 87  
Bed Size 55x80



### General Measures\*

A 36.25 B 35.5 C 25.5

D 19.25 E 20

Mattress Thickness 5  
Open From Wall 62.25

\*All measures are in Inches

# Martta

## Flip Function

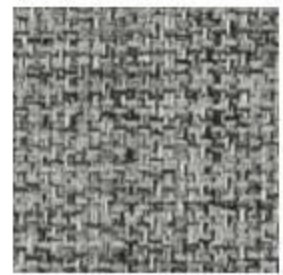
This single motion sleeper function features arm-to-arm bed orientation great for narrow spaces



## Stock Options

### Upholstery & Legs

See all material specifications on page 46



**Grade A**  
Atlantic 07  
**R-PES**  
100% Recycled Fabric



**Walnut**  
Leg 127/9  
W 2.25 x H 3.5

### Configurations

Shown above as MART-BFP+FOU-ATLA/07-127/9-WA

#### Full XL Sleeper Loveseat + Chaise (25.1)

Available with any selection of Stock Options. **The storage chaise is reversible.**

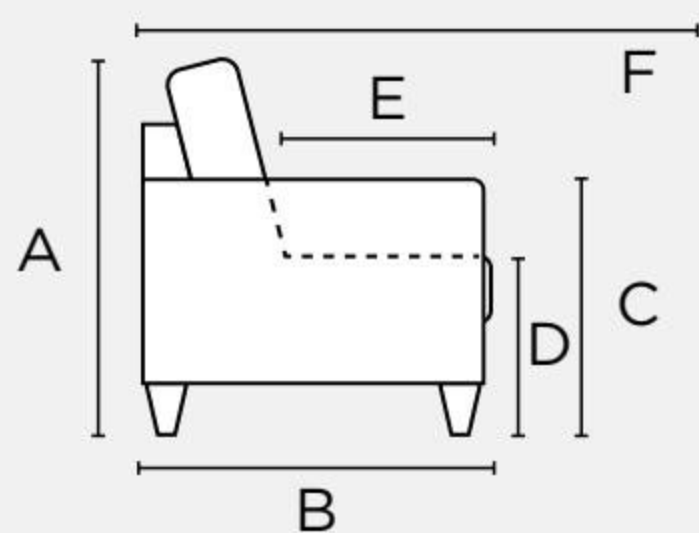
#### + ADD-ON



#### Mattress Protector (39.4)

A Mattress Protector adds a layer of comfort to your sleeper, for both the body and the mind. **page 44**

## SKUs & Dimensions



**MART-BFP+FOU**  
**Full XL Sectional**

Width 87  
Bed Size 55x80



### General Measures\*

A 36.25 B 39.25 C 24.75

D 18 E 22.75 F 67

Mattress Thickness 5  
Open From Wall 58.25

\*All measures are in Inches



# Flip Function

This single motion sleeper function features arm-to-arm bed orientation great for narrow spaces

# Noah



## Stock Options

### Upholstery & Legs

See all material specifications on page 46



**Grade A**  
Rene 04  
Fabric



**Grade 4000**  
Labrador 03  
Leather



**Walnut**  
Leg 104/9  
W 2.75 x H 3.5

### Configurations

Shown above as NOAH-BFP+FOU-LAB/03-104/9-WA

### Full XL Sleeper Loveseat + Chaise (28.1-28.2)

Available with any selection of Stock Options. The storage chaise is reversible. Not compatible with Mattress Protector.

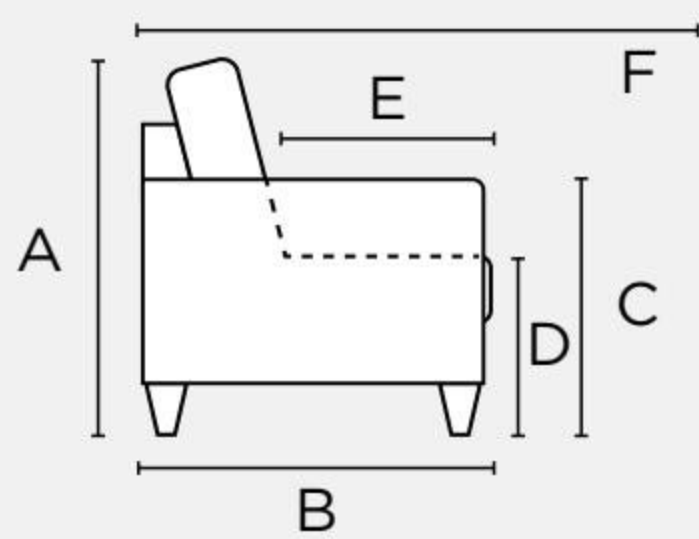


### Pair it with Track

Choose a recliner to add additional non-sleeper seats to your home.

See details on page 37

## SKUs & Dimensions



**NOAH-BFP+FOU**  
**Full XL Sectional**

Width 104.25  
Bed Size 55x90



### General Measures\*

A 33.75 B 39.75 C 23.23

D 18 E 23.25 F 66.5

Mattress Thickness 5  
Open From Wall 62.25

\*All measures are in Inches

# Dolphin

## Easy Deluxe Function

This dual motion sleeper function features arm-to-arm bed orientation, under-seat storage, perfect in narrow spaces



## Stock Options

### Upholstery & Legs

See all material specifications on page 46



**Grade A**  
Glamour 13  
Fabric



**Black Wood**  
Leg 133/12  
W 2.5 x H 4.75



**Black Metal**  
Leg 226/13  
W x H

### Configurations

Shown above as DOLP-CED+FOU-GLAM/13-133/12-BK

#### Full XL Sleeper Loveseat + Chaise (6.1-6.2)

Available with any selection of Stock Options. **The storage chaise is reversible. Not compatible with below Mattress Protector.**

#### Full XL Sleeper Sofa (6.3-6.4)

Available with any selection of Stock Options.

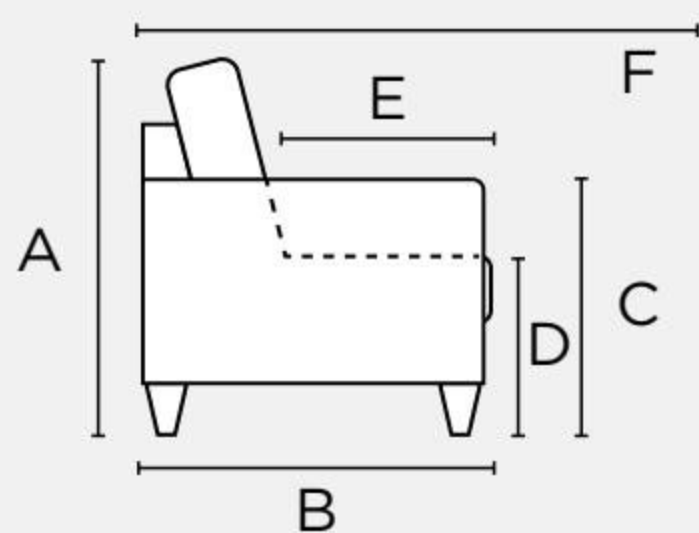
#### + ADD-ON



#### Mattress Protector (39.5)

A Mattress Protector adds a layer of comfort to your sleeper, for both the body and the mind. **page 44**

## SKUs & Dimensions



**DOLP-CED+FOU**  
Full XL Sectional

Width 98.5  
Bed Size 55x90



**DOLP-DED**  
Full XL Sofa

Width 90.5  
Bed Size 55x80



### General Measures\*

A 34.75 B 40.25 C 25.25

D 17.75 E 22.75 F 61

Mattress Thickness 5  
Open From Wall 58.25

\*All measures are in Inches

# Easy Deluxe Function

This dual motion sleeper function features arm-to-arm bed orientation, under-seat storage, perfect in narrow spaces

# Emery



## Stock Options

### Upholstery & Legs

See all material specifications on page 46



**Grade A**  
Fun 481  
Fabric



**Grade A**  
Fun 496  
Fabric



**Grade A**  
Rene 01  
Fabric



**Grade A**  
Rene 04  
Fabric



**Walnut**  
Leg 104/6  
W 2.75 x H 2.25



**Chrome**  
Leg 217/6  
W 3.25 x H 2.25

### Configurations

Shown above as EMER-DED-FUN/496-217/6-CR

### Full XL Sleeper Sofa (9.1-9.8)

Available with any selection of Stock Options.



### Pair it with Track

Choose a recliner to add additional non-sleeper seats to your home.

See details on page 37

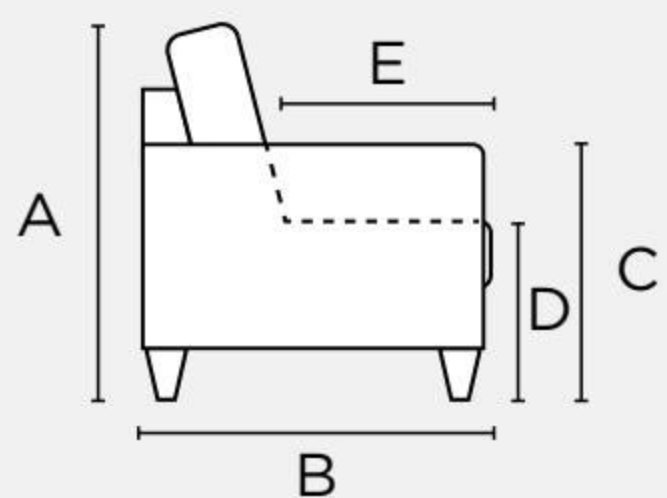
### + ADD-ON



### Mattress Protector (39.5)

A Mattress Protector adds a layer of comfort to your sleeper, for both the body and the mind. **page 44**

## SKUs & Dimensions



### EMER-DED Full XL Sofa

Width 90.5  
Bed Size 55x80



### General Measures\*

A 35 B 40 C 25.5

D 17.75 E 22.75

Mattress Thickness 5  
Open From Wall 58.25

\*All measures are in Inches

# Flipper

## Easy Deluxe Function

This dual motion sleeper function features arm-to-arm bed orientation, under-seat storage, perfect in narrow spaces



## Stock Options

### Upholstery & Legs

See all material specifications on page 46



**Grade D**  
Naomi 321  
**Performance**  
AquaClean Fabric



**Oak**  
Leg 128/12  
W 2 x H 4.75

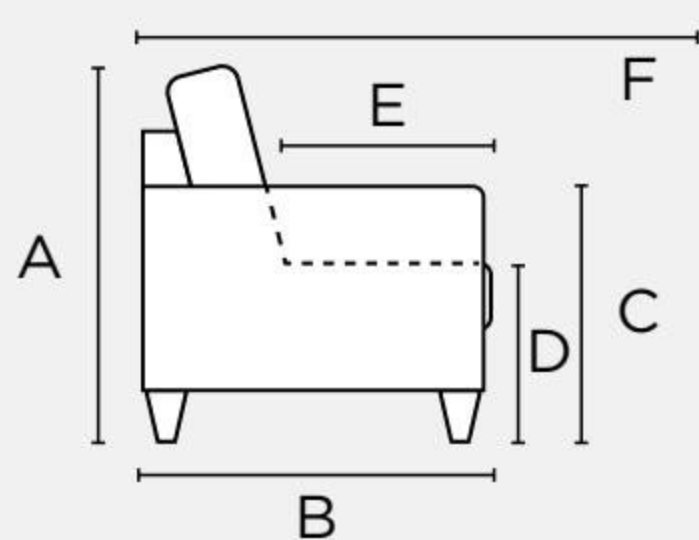
### Configurations

Shown above as FLIP-CED60+HAG-NAOM/321-128/12-OK

### Full XL Sleeper Sectional (13.1)

Available with any selection of Stock Options. **Not compatible with Mattress Protector.**

## SKUs & Dimensions



**FLIP-CMED60+HAG**  
**Full XL Sectional**

Width 98  
Bed Size 55x90

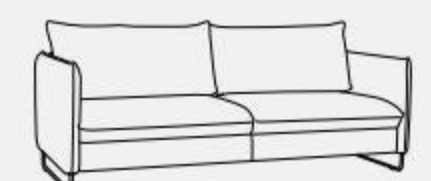


### Need a Different Size, Upholstery, or Leg?



**FLIP-DED75+HAG**  
**Full XL Sectional**

Width 120.75  
Bed Size 55x75



**FLIP-DED80**  
**Full XL Sofa**

Width 87  
Bed Size 55x80

### General Measures\*

A 32 B 43 C 28.25

D 17.75 E 24.5 F 85

**Mattress Thickness** 5  
**Open From Wall** 58.25

\*All measures are in Inches

Use our **Made to Order Program** to choose any size, upholstery or compatible leg style and color.

## Easy Deluxe Function

This dual motion sleeper function features arm-to-arm bed orientation, under-seat storage, perfect in narrow spaces



# Rosalind

## Stock Options

### Upholstery & Legs

See all material specifications on page 46



**Grade A**  
Oliver 173  
Fabric



**Walnut**  
Leg 104/6  
W 2.75 x H 2.25

### Configurations

Shown above as ROSA-EED-OLIV/173-104/6-WA

#### Full Sleeper Sofa (33.1)

Available with any selection of Stock Options.



### Pair it with Rolled

Choose a recliner to add additional non-sleeper seats to your home.

See details on page 37

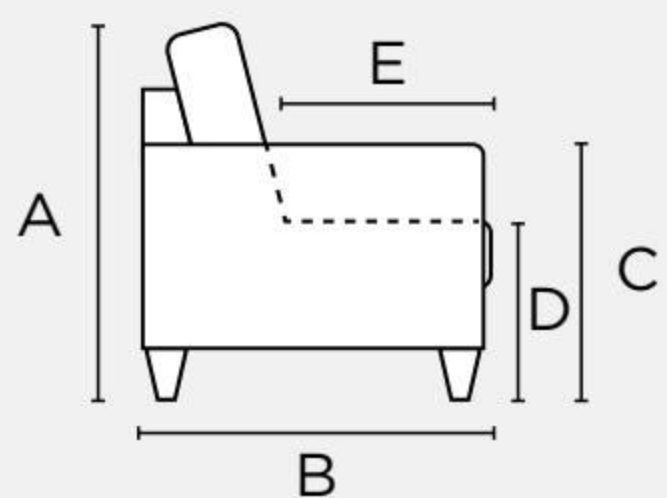
#### + ADD-ON



#### Mattress Protector (39.5)

A Mattress Protector adds a layer of comfort to your sleeper, for both the body and the mind. **page 44**

## SKUs & Dimensions



#### ROSA-EED Full XL Sofa

Width 86.5  
Bed Size 55x74



### General Measures\*

A 35 B 40.25 C 26

D 18 E 22.5

Mattress Thickness 5  
Open From Wall 58.25

\*All measures are in Inches

# Elevate

## Bunk Bed Function

This one-of-a-kind sleeper easily transforms from a sofa into a GCC Compliant bunk bed, in seconds.



## Stock Options

### Upholstery & Legs

See all material specifications on page 46



**Grade A**  
Fun 482  
Fabric



**Grade A**  
Atlantic 07  
**R-PES**  
100% Recycled Fabric



**Metal**  
Mechanism Attached

### Configurations

Shown above as ELEV-DBK-ATLA/07

#### x2 Cot Sleeper Sofa (7.1-7.2)

Available with any selection of Stock Options. **Only available with mechanism attached special metal leg.**

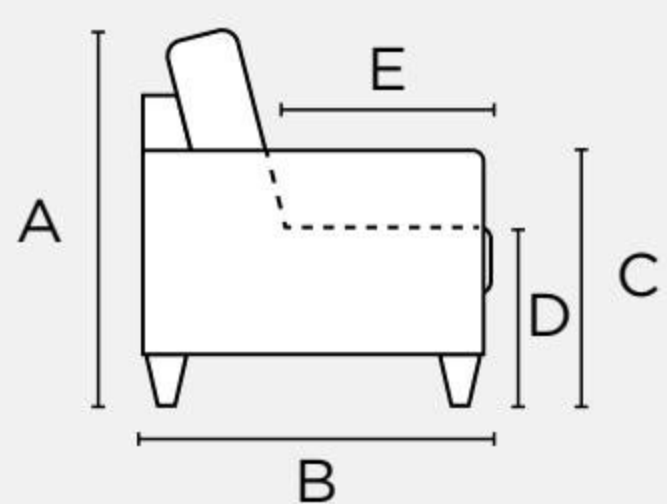
#### + ADD-ON



#### Mattress Protector (39.4)

A Mattress Protector adds a layer of comfort to your sleeper, for both the body and the mind. **page 44**

## SKUs & Dimensions



**ELEV-DBK**  
**x2 Cot Sofa**

**Width 89.75**  
**Bed Size 30x74**



### General Measures\*

A 33.75 B 40.25 C 23.5

D 17.75 E 20.75

**Mattress Thickness 5**

**Open From Wall 45**

\*All measures are in Inches

# Recliner

# Rolled

This swivel glider is a lovely companion to our sleeper designs. These designs offer great non-sleeper seating.



## Stock Options

### Upholstery & Legs

See all material specifications on page 46



**Grade A**  
Rene 01  
Fabric



**Grade A**  
Rene 03  
Fabric



**Grade A**  
Oliver 173  
Fabric



**Optional**  
Mechanism  
Choose Manual or  
Battery Power



**Black Wood**  
Base  
Ø 25 x H 3

### Configurations

Shown above as ROLL-AR-PWR-RENE/01

#### Manual Recliner (32.1-32.3)

Available with any selection of Stock Options.

#### Battery Powered Recliner (32.4-32.6)

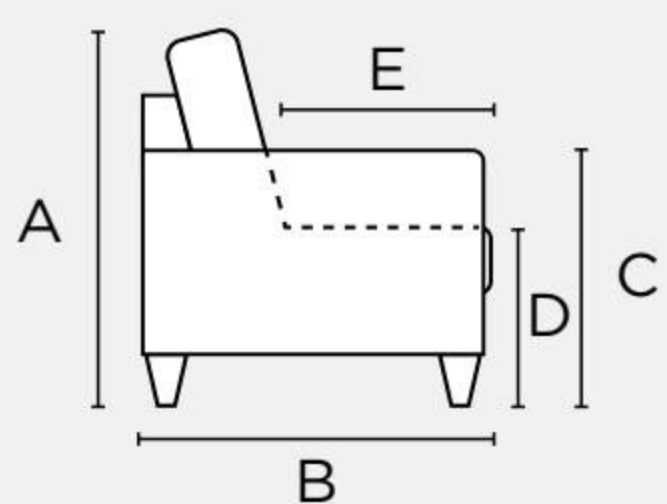
Available with any selection of Stock Options. Power includes battery pack. Supports about 120 operations. Battery should be charged every 3-months, varies depending on use.

### Features



1. Adjustable 4-way headrest
2. Low profile Swivel / Glider base
3. Chambered back-cushion, balanced lumbar support

## SKUs & Dimensions



### General Measures\*

A 47.25 B 36.5 C 24.5

D 19 E 19



**ROLL-AR**  
Manual Recliner

Width 32.75



**ROLL-AR-PWR**  
Battery Power Recliner

Width 32.75



\*All product measures are in US Customary / Inches

# Sloped

# Recliner

This swivel glider is a lovely companion to our sleeper designs. These designs offer great non-sleeper seating.



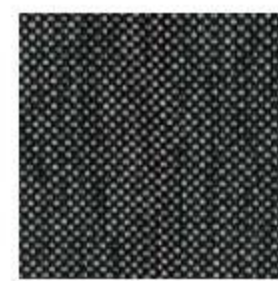
## Stock Options

### Upholstery & Legs

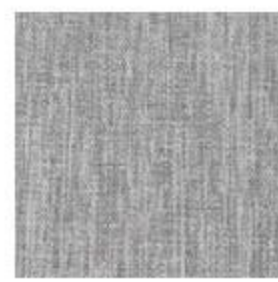
See all material specifications on page 46



**Grade A**  
Fun 496  
Fabric



**Grade A**  
Loule 630  
Fabric



**Grade A**  
Oliver 173  
Fabric



**Grade A**  
Oliver 515  
Fabric



**Black Wood**  
Base  
Ø 25 x H 3



**Optional**  
Mechanism  
Choose Manual or  
Battery Power

### Configurations

Shown above as SLOP-AR-PWR-FUN/496

#### Manual Recliner (34.1-34.4)

Available with any selection of Stock Options.

#### Battery Powered Recliner (34.5-34.8)

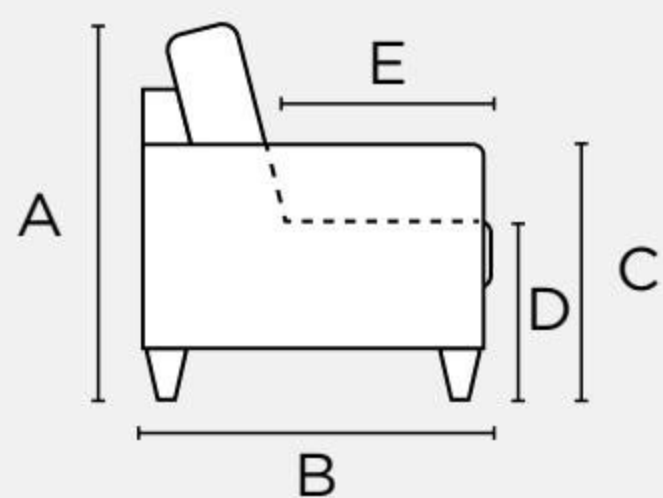
Available with any selection of Stock Options. Power includes battery pack. Supports about 120 operations. Battery should be charged every 3-months, varies depending on use.

### Features



1. Adjustable 4-way headrest
2. Low profile Swivel / Glider base
3. Chambered back-cushion, balanced lumbar support

## SKUs & Dimensions



### General Measures\*

A 47.25 B 36.5 C 24.5

D 19 E 19

\*All product measures are in US Customary / Inches



**SLOP-AR**  
Manual Recliner

Width 32



**SLOP-AR-PWR**  
Battery Power Recliner

Width 32





# Recliner

# Track

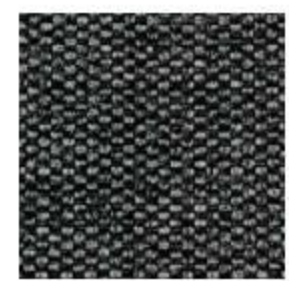
This swivel glider is a lovely companion to our sleeper designs. These designs offer great non-sleeper seating.



## Stock Options

### Upholstery & Legs

See all material specifications on page 46



**Grade A**  
Fun 481  
Fabric



**Grade A**  
Fun 496  
Fabric



**Grade A**  
Loule 616  
Fabric



**Grade A**  
Rene 04  
Fabric



**Black Wood**  
Base  
Ø 25 x H 3



**Optional**  
Mechanism  
Choose Manual or  
Battery Power

### Configurations

Shown above as TRAC-AR-PWR-RENE/04

#### Manual Recliner (35.1-35.4)

Available with any selection of Stock Options.

#### Battery Powered Recliner (35.5-35.10)

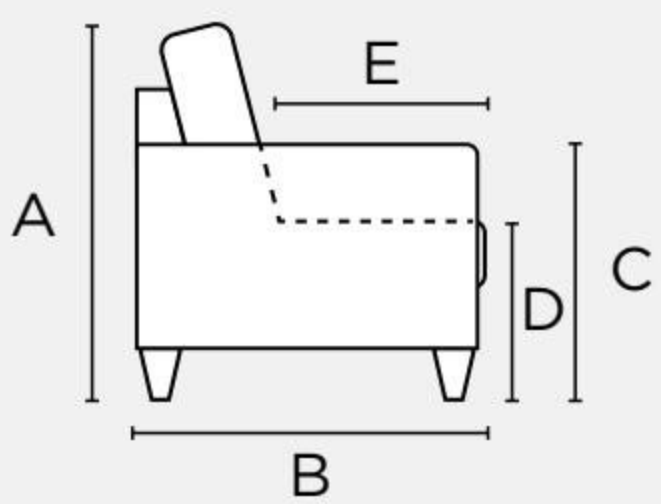
Available with any selection. Power includes battery pack. Supports about 120 operations. Battery should be charged every 3-months, varies depending on use.

### Features



1. Adjustable 4-way headrest
2. Low profile Swivel / Glider base
3. Chambered back-cushion, balanced lumbar support

## SKUs & Dimensions



### General Measures\*

A 47.25 B 36.5 C 24.5

D 19 E 19

\*All product measures are in US Customary / Inches



**TRAC-AR**  
Manual Recliner

Width 29.5



**TRAC-AR-PWR**  
Battery Power Recliner

Width 29.5



# Welled

## Recliner

This swivel glider is a lovely companion to our sleeper designs. These designs offer great non-sleeper seating.



## Stock Options

### Upholstery & Legs

See all material specifications on page 46



**Grade A**  
Oliver 173  
Fabric



**Grade A**  
Oliver 173  
Fabric



**Black Wood**  
Base  
Ø 25 x H 3



**Optional**  
Mechanism  
Choose Manual or  
Battery Power

### Configurations

Shown above as WELT-AR-PWR-OLIV/515

#### Manual Recliner (37.1-37.2)

Available with any selection of Stock Options.

#### Battery Powered Recliner (37.3-37.4)

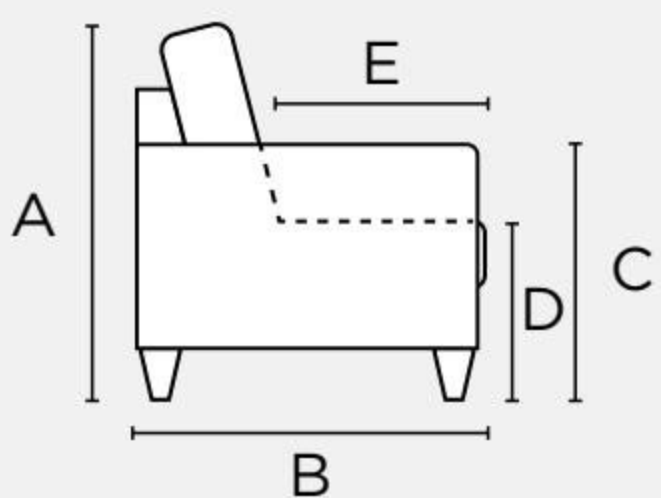
Available with any selection. Power includes battery pack. Supports about 120 operations. Battery should be charged every 3-months, varies depending on use.

### Features



1. Adjustable 2-way headrest
2. Low profile Swivel / Glider base
3. Chambered back-cushion, balanced lumbar support

## SKUs & Dimensions



### General Measures\*

A 39.25 B 37 C 24.5

D 19 E 19

Mattress Thickness 5

\*All product measures are in US Customary / Inches



**WELT-AR**  
Manual Recliner

Width 32



**WELT-AR-PWR**  
Battery Power Recliner

Width 32



# Stationary

Our non-sleeper designs offer the same quality standard, just without the sleeper functions.

# Liam



## Stock Options

### Upholstery & Legs

See all material specifications on page 46



**Grade A**  
Atlantic 01  
**R-PES**  
100% Recycled Fabric



**Black Metal**  
Leg 227/15  
W 1 x H 6

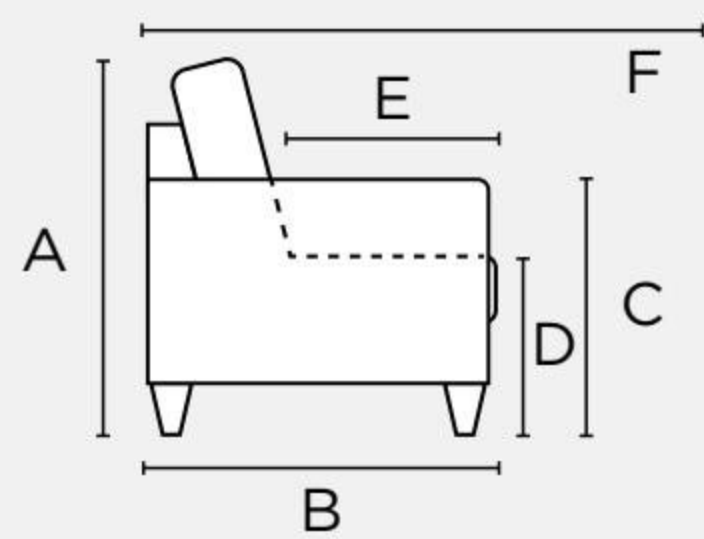
### Configurations

Shown above as LIAM-K1L+D71+FU+K1R-ATLA/01-227/15-BK

#### Sofa Chaise (24.1)

Available with any selection of Stock Options. **This chaise is reversible.**

## SKUs & Dimensions



**LIAM-K1L+D71+FU+K1R**  
**Sofa Chaise**

**Width 112.25**  
**Bed Size 76x80**



### General Measures\*

A 33.5 B 41.25 C 23.5

D 18.5 E 26.75 F 64.5

\*All product measures are in US Customary / Inches

# Poet

## Stationary

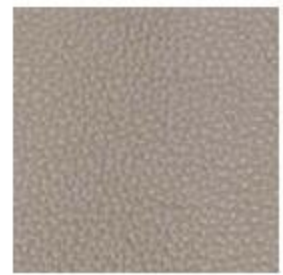
Our non-sleeper designs offer the same quality standard, just without the sleeper functions.



## Stock Options

### Upholstery & Legs

See all material specifications on page 46



**Grade 4000**  
Labrador 24  
Leather



**Walnut**  
Leg 115/12  
W 6.25 x H

### Configurations

Shown above as POET-E-LAB/24-115/12-WA

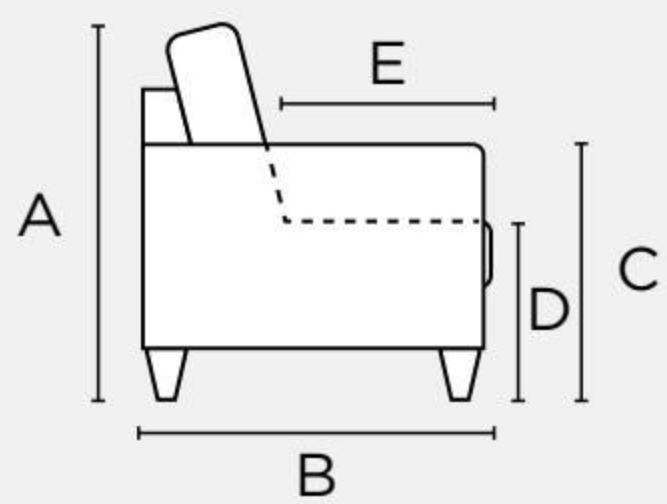
#### 3 Seat Sofa (31.2)

Available with any selection of Stock Options.

#### Loveseat (31.1)

Available with any selection of Stock Options.

## SKUs & Dimensions



### General Measures\*

A 32.25 B 37 C 24

D 18 E 22.75

\*All product measures are in US Customary / Inches



**POET-E**  
3 Seat Sofa  
Width 91.75



**POET-B**  
Loveseat  
Width 68



**POET-C**  
Loveseat  
Width 80.75



**POET-A**  
Chair  
Width 44.5



### Need a Different Size, Upholstery, or Leg?

Use our **Made to Order Program** to choose any size, upholstery or compatible leg style and color.

# Stationary

Our non-sleeper designs offer the same quality standard, just without the sleeper functions.

# Viola



## Stock Options

### Upholstery & Legs

See all material specifications on page 46



**Grade A**  
Rene 03  
Fabric



**Walnut**  
Leg 133/20  
Wood base x H 7.5

### Configurations

Shown above as VIOL-C+HAG-RENE/03-133/20-WA

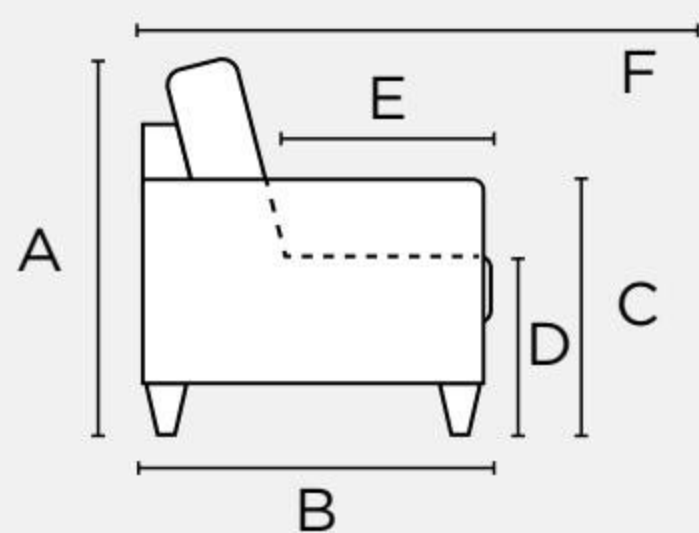
#### Loveseat Sectional (36.1-36.2)

Available with any selection of Stock Options. **This in-stock item is standard with Superior Foam and wood base upgrades.**

#### 2 Seat Sofa (36.3)

Available with any selection of Stock Options. **This in-stock item is standard with Superior Foam and wood base upgrades.**

## SKUs & Dimensions



### General Measures\*

A 32.75 B 33.75 C 25.5

D 17.25 E 21.25 F 78

\*All product measures are in US Customary / Inches



**VIOL-C+HAG**  
LHF Loveseat + Chaise  
Sectional  
Width 96.75



**VIOL-HAG+C**  
LHF Chaise + Loveseat  
Sectional  
Width 96.75



**VIOL-D**  
2 Seat Sofa  
Width 77.5



**VIOL-A**  
Chair  
Width 30.25



Need a Different Size,  
Upholstery, or Leg?

Use our **Made to Order Program** to choose any size, upholstery or compatible leg style and color.

# Accessories

We believe each design could be a wonderful addition to your home all by itself. However, accessories can make a big difference. Our In-Stock accessories are designed specifically to elevate the comfort and/or style of many of our designs. See the items below for details.



Shown above as FUNC-QO-OLIV/173-TOP/WA-WHL

## Functional Table

### Upholstery & Legs

See all material specifications on page 46



**Grade A**  
Fun 496  
Fabric



**Grade A**  
Oliver 173  
Fabric



**Grade A**  
Oliver 515  
Fabric



**Black / Gray**  
Locking Caster  
Wheels

### Functional Table (39.1-39.3)

This rolling storage table is the perfect companion for a sleeper, easy to use, and easy to push away. Plus, its storage and function offer another great option for your room.

**Dimensions : W 40.25 x D 28 x H 15.75 inches (open D 40.25)**



## Mattress Protectors

Hypo-Allergenic & Waterproof

### King Size (39.6)

This King Size Mattress Protector, it fits every king size sleeper in our collection.

**Dimensions : W 76 x 80 inches**

### Queen Size (39.7)

This Queen Size Mattress Protector, it fits every queen size sleeper in our collection.

**Dimensions : W 60 x 80 inches**

### Full XL Size (39.5)

This Full XL Size Mattress Protector, it fits most full extra long sleepers in our collection.

**Dimensions : W 55 x 80 inches**

### Cot Size (39.4)

This Cot Size Mattress Protector, it fits every cot size sleeper in our collection.

**Dimensions : W 30 x 80 inches**



## Universal Headrest

Nest Function

### Large (39.9-39.14)

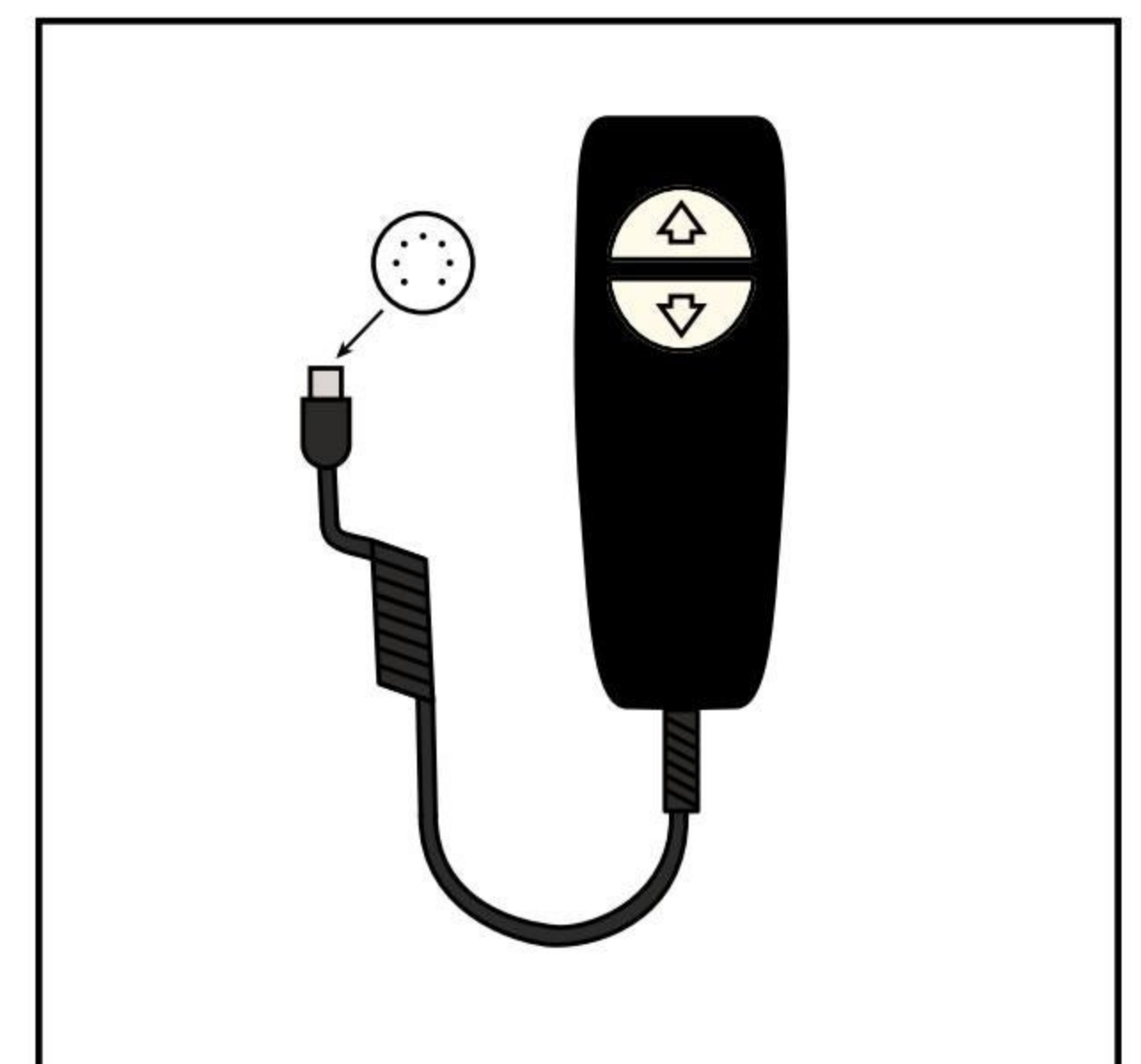
Fits King Size Nest Function sleepers. King requires two headrests (one per seat).

**Dimensions : W 35 x H 6 x D 6**

### Medium (39.15-39.20)

Fits Cot Size or Queen Size. Queen requires two headrests (one per seat).

**Dimensions : W 26 x H 6 x D 6**



## Wired Remote

Upgrade for Power Sleepers

### Wired Remote (39.9)

Add a wired remote to your power sleeper. Connects directly to the control box to operate seamlessly. This remote can be used in addition to the standard wireless remote.

**Do not attempt to use the remotes simultaneously, as it may damage the motors and void any warranty on the power system.**

## Cleaning the Upholstery

Use a damp cloth with mild soap for cleaning stains, then wipe with water to remove residual moisture. Avoid over saturation to prevent damage. Always refer to the upholstery care guide for cleaning codes and certificates. **Use appropriate solutions and methods for cleaning based on care instructions.**

## “Spot” Cleaning

Clean desired area seam to seam with a damp cloth, mild detergent (no bleach). Clean seams to prevent water-ringing and spot discoloration. **For stubborn stains, use gentle upholstery cleaner spray.**

## Cleaning the Cushions

Vacuum pillows regularly and spot clean with a damp cloth or sponge. Use a soft cloth, not abrasive scrubbers, to avoid damaging fabric. **For leather upholstery, avoid alcohol-based cleaners.**

## Deep Cleaning

Brush fabric with a soft-bristled brush to remove dirt and debris. Brush before vacuuming or using cleaning solutions to loosen embedded particles. **Vacuum upholstery weekly to remove trapped dirt and particles.** Use upholstery cleaning attachment for optimal results.

## Dusting

Dust upholstery regularly to remove surface dirt and grime. Use damp soft cloth for stubborn dust on leather; dry with a microfiber cloth.

## Fluffing the Back Cushions

Regularly fluff back cushions to redistribute filling. This helps to maintain cushion shape and support.

## Seat Cushion Smoothing

Smooth seat cushions by gently pulling from center outward. Remove wrinkles and puddles caused by use.

## Back Cushion Rotating

Rotate back cushions for even wear. Re-position left to right for longer lifespan.

## Checking and Tightening Frame Bolts

Periodically check and tighten frame bolts. Use a hex-tool or wrench for secure connections. Replace severely damaged bolts with professional assistance.

For more information, visit our website or contact our customer support.

# Upholstery Information

## Explore the selection of our stock upholsteries

In the Stock Program, these upholsteries are married to a specific frame. This page is helpful to see what colors and types we offer in this program. Also, understanding material contents can be helpful for the discerning customer. Please read below for material contents, and refer to the bottom key for decoding each acronym.

## Stock Upholstery Selection (A - Z)

	<b>Grade A</b> Amore 31 100% PES MTO NOT AVAILABLE		<b>Grade A</b> Atlantic 01 R-PES 100% Recycled PES		<b>Grade A</b> Atlantic 02 R-PES 100% Recycled PES		<b>Grade A</b> Atlantic 03 R-PES 100% Recycled PES
	<b>Grade A</b> Atlantic 07 R-PES 100% Recycled PES		<b>Grade A</b> Fun 481 100% PES MTO NOT AVAILABLE		<b>Grade A</b> Fun 482 100% PES MTO NOT AVAILABLE		<b>Grade A</b> Fun 496 100% PES MTO NOT AVAILABLE
	<b>Grade A</b> Gemma 01 88% PES 9% RA 3% NY		<b>Grade A</b> Gemma 86 88% PES 9% RA 3% NY		<b>Grade A</b> Glamour 13 100% PES		<b>Grade 4000</b> Labrador 03 Semi-Aniline Leather
	<b>Grade 4000</b> Labrador 05 Semi-Aniline Leather		<b>Grade 4000</b> Labrador 24 Semi-Aniline Leather		<b>Grade A</b> Lens 700 60% PES 40% PAN MTO NOT AVAILABLE		<b>Grade A</b> Loule 616 100% PES
	<b>Grade A</b> Loule 630 100% PES		<b>Grade A</b> Luna 29 100% PES		<b>Grade A</b> Luna 33 100% PES		<b>Grade A</b> Luna 35 100% PES
	<b>Grade D</b> Naomi 321 AquaClean 56% PES 44% CO		<b>Grade 3000</b> Natural Soft 000 Leather		<b>Grade A</b> Oliver 173 72% PES 28% PAN		<b>Grade A</b> Oliver 515 72% PES 28% PAN
	<b>Grade A</b> Rene 01 100% PES		<b>Grade A</b> Rene 02 100% PES		<b>Grade A</b> Rene 03 100% PES		<b>Grade A</b> Rene 04 100% PES
	<b>Grade A</b> Rodeo 104 100% PES		<b>Grade 1000</b> Soft Antique 0000 Corrected Leather		<b>Grade 1000</b> Soft Antique 0127 Corrected Leather		<b>Grade 1000</b> Soft Antique 4100 Corrected Leather
	<b>Grade 1000</b> Soft Antique 4340 Corrected Leather						

## Decode Upholstery Acronyms

PES = Polyester    R-PES = Recycled Polyester    PAN = Polyacrylonitrile    CO = Cotton    RA = Ramie    NY = Nylon



# Specialty Fabrics



## Recycled Polyester (R-PES)

Introducing our Ocean Collection: a **sustainable alternative to traditional polyester**. This fabric is soft, durable, and retains all the properties that made polyester popular. It offers high performance, long-lasting goods while reducing greenhouse gas emissions and preventing plastic waste.

**Experience quality without the carbon footprint.**



**500**  
BOTTLES  
PER SOFA\*

**↓ 32%**  
LESS CO2 FROM  
PRODUCTION

**94%**  
TOTAL WATER  
SAVINGS

## Performance Fabric : SMART Fabric

SMART Fabrics are designed with a special protective coating that **resists the absorption of spilled liquids**. Instead of soaking in, liquids condense on the fabric's surface, enabling easy clean-up. This water-repellent feature makes SMART Fabrics ideal for preventing rapid fluid seepage.



## Performance Fabric : AquaClean

Aquaclean® Technology, a revolutionary fabric treatment that's **PFC-free** and integrated into the fabric's fiber, enables **stain removal using just water**. It's not a surface application, but a part of the fabric itself. Additionally, the fabric features **SAFE FRONT®**, an intrinsic barrier that provides over **91% protection against viruses and bacteria**. This technology ensures safety and high performance without the need for harmful PFCs.

### Cleaning Instructions

1. Clear any leftover residue from the upholstery.
2. Dampen the stain with water, wait briefly.
3. Gently rub the stain in circular motions with a damp cloth. Repeat if necessary.



# Stock Program SKUs

Every product is associated with a Ref# in this catalog, use the Ref# column to find any product row.

Ref #	Collection	Name	SKU	Upholstery	Leg	Leg Color	
1.1	Aura	Queen Loveseat Sleeper	AURA-CNT-ATLA/07-234/9-CR	Atlantic 07	234/9	Chrome	
2.1	Belton	King Sofa Sleeper	BELT-DLV-GEMM/01-105/6-WA	Gemma 01	105/6	Walnut	
2.2	Belton	King Sofa Sleeper	BELT-DLV-GEMM/86-105/6-WA	Gemma 86	105/6	Walnut	
2.3	Belton	King Sofa Sleeper	BELT-DLV-PWR-GEMM/01-105/6-WA	Gemma 01	105/6	Walnut	
2.4	Belton	King Sofa Sleeper	BELT-DLV-PWR-GEMM/86-105/6-WA	Gemma 86	105/6	Walnut	
2.5	Belton	Queen Loveseat Sleeper	BELT-CLV-GEMM/01-105/6-WA	Gemma 01	105/6	Walnut	
2.6	Belton	Queen Loveseat Sleeper	BELT-CLV-GEMM/86-105/6-WA	Gemma 86	105/6	Walnut	
2.7	Belton	Queen Loveseat Sleeper	BELT-CLV-PWR-GEMM/01-105/6-WA	Gemma 01	105/6	Walnut	
2.8	Belton	Queen Loveseat Sleeper	BELT-CLV-PWR-GEMM/86-105/6-WA	Gemma 86	105/6	Walnut	
3.1	Casey	Cot Chair Sleeper	CASE-AHY-RENE/01-104/6-WA	Rene 01	104/6	Walnut	
3.2	Casey	Full XL Loveseat Sleeper	CASE-BHY-RENE/01-104/6-WA	Rene 01	104/6	Walnut	
3.3	Casey	King Sofa Sleeper	CASE-DHY-RENE/01-104/6-WA	Rene 01	104/6	Walnut	
3.4	Casey	King Sofa Sleeper	CASE-DHY-RENE/03-104/6-WA	Rene 03	104/6	Walnut	
3.5	Casey	Queen Loveseat Sleeper	CASE-CHY-RENE/01-104/6-WA	Rene 01	104/6	Walnut	
3.6	Casey	Queen Loveseat Sleeper	CASE-CHY-RENE/03-104/6-WA	Rene 03	104/6	Walnut	
4.1	Charleston	King Sofa Sleeper	CHAR-DLV-OLIV/173-104/6-WA	Oliver 173	104/6	Walnut	
4.2	Charleston	Queen Loveseat Sleeper	CHAR-CLV-OLIV/173-104/6-WA	Oliver 173	104/6	Walnut	
5.1	Delta	Full XL Sectional	DELT-BFP+FOU-RENE/03-234/9-CR	Rene 03	234/9	Chrome	
5.2	Delta	Full XL Sectional	DELT-BFP+FOU-RENE/03-104/9-WA	Rene 03	104/6	Walnut	
6.1	Dolphin	Full XL Sectional	DOLP-CED+FOU-GLAM/13-133/12-BLK	Glamour 13	133/12	Black	
6.2	Dolphin	Full XL Sectional	DOLP-CED+FOU-GLAM/13-226/13-BLK	Glamour 13	226/13	Black	
6.3	Dolphin	Full XL Sofa Sleeper	DOLP-DED-GLAM/13-133/12-BLK	Glamour 13	133/12	Black	
6.4	Dolphin	Full XL Sofa Sleeper	DOLP-DED-GLAM/13-226/13-BLK	Glamour 13	226/13	Black	
7.1	Elevate	Bunk Bed Sleeper	ELEV-DBK-ATLA/07	Atlantic 07	Special	Metal	
7.2	Elevate	Bunk Bed Sleeper	ELEV-DBK-FUN/482	Fun 482	Special	Metal	
8.1	Elfin	Cot Chair Sleeper	ELFI-ANT-LUNA/35-126/9-WA	Luna 35	126/9	Walnut	
8.2	Elfin	Cot Chair Sleeper	ELFI-ANT-RENE/01-126/9-WA	Rene 01	126/9	Walnut	
8.3	Elfin	Cot Chair Sleeper	ELFI-ANT-LUNA/35-234/9-CR	Luna 35	234/9	Chrome	
8.4	Elfin	Cot Chair Sleeper	ELFI-ANT-RENE/01-234/9-CR	Rene 01	234/9	Chrome	
8.5	Elfin	Full XL Loveseat Sleeper	ELFI-BNT-LUNA/35-126/9-WA	Luna 35	126/9	Walnut	
8.6	Elfin	Full XL Loveseat Sleeper	ELFI-BNT-RENE/01-126/9-WA	Rene 01	126/9	Walnut	
8.7	Elfin	Full XL Loveseat Sleeper	ELFI-BNT-LENS/700-234/9-CR	Luna 35	234/9	Chrome	
8.8	Elfin	Full XL Loveseat Sleeper	ELFI-BNT-LUNA/35-234/9-CR	Luna 35	234/9	Chrome	
8.9	Elfin	Full XL Loveseat Sleeper	ELFI-BNT-RENE/01-234/9-CR	Rene 01	234/9	Chrome	
8.10	Elfin	King Sofa Sleeper	ELFI-DNT-LUNA/35-126/9-WA	Luna 35	104/9	Walnut	
8.11	Elfin	King Sofa Sleeper	ELFI-DNT-RENE/01-126/9-WA	Rene 01	104/9	Walnut	
8.12	Elfin	King Sofa Sleeper	ELFI-DNT-LUNA/35-234/9-CR	Luna 35	234/9	Chrome	
8.13	Elfin	King Sofa Sleeper	ELFI-DNT-RENE/01-234/9-CR	Rene 01	234/9	Chrome	
8.14	Elfin	Queen Loveseat Sleeper	ELFI-CNT-LUNA/35-126/9-WA	Luna 35	104/9	Walnut	
8.15	Elfin	Queen Loveseat Sleeper	ELFI-CNT-RENE/01-126/9-WA	Rene 01	104/9	Walnut	
8.16	Elfin	Queen Loveseat Sleeper	ELFI-CNT-LUNA/35-234/9-CR	Luna 35	234/9	Chrome	
8.17	Elfin	Queen Loveseat Sleeper	ELFI-CNT-RENE/01-234/9-CR	Rene 01	234/9	Chrome	
9.1	Emery	Full XL Sofa Sleeper	EMER-DED-RENE/01-104/6-WA	Rene 01	104/6	Walnut	
9.2	Emery	Full XL Sofa Sleeper	EMER-DED-RENE/04-104/6-WA	Rene 04	104/6	Walnut	
9.3	Emery	Full XL Sofa Sleeper	EMER-DED-RENE/01-217/6-CR	Rene 01	217/6	Chrome	
9.4	Emery	Full XL Sofa Sleeper	EMER-DED-RENE/04-217/6-CR	Rene 04	217/6	Chrome	
9.5	Emery	Full XL Sofa Sleeper	EMER-DED-FUN/481-104/6-WA	Fun 481	104/6	Walnut	

Ref #	Collection	Name	SKU	Upholstery	Leg	Leg Color	
9.6	Emery	Full XL Sofa Sleeper	EMER-DED-FUN/496-104/6-WA	Fun 496	104/6	Walnut	
9.7	Emery	Full XL Sofa Sleeper	EMER-DED-FUN/481-217/6-CR	Fun 481	217/6	Chrome	
9.8	Emery	Full XL Sofa Sleeper	EMER-DED-FUN/496-217/6-CR	Fun 496	217/6	Chrome	
10.1	Erika	Cot Chair Sleeper	ERIK-ANT-LUNA/29-126/9-WA	Luna 29	126/9	Walnut	
10.2	Erika	Cot Chair Sleeper	ERIK-ANT-LUNA/33-126/9-WA	Luna 33	126/9	Wenge	
10.3	Erika	Full XL Loveseat Sleeper	ERIK-BNT-LUNA/29-126/9-WA	Luna 29	126/9	Walnut	
10.4	Erika	Full XL Loveseat Sleeper	ERIK-BNT-LUNA/33-126/9-WA	Luna 33	126/9	Wenge	
10.5	Erika	Queen Loveseat Sleeper	ERIK-CNT-LUNA/29-126/9-WA	Luna 29	126/9	Walnut	
10.6	Erika	Queen Loveseat Sleeper	ERIK-CNT-LUNA/33-126/9-WA	Luna 33	126/9	Walnut	
11.1	Ethos	Cot Chair Sleeper	ETHO-ANT-OLIV/173-126/9-WA	Oliver 173	126/9	Walnut	
11.2	Ethos	Cot Chair Sleeper	ETHO-ANT-OLIV/515-126/9-WA	Oliver 515	126/9	Walnut	
11.3	Ethos	Cot Chair Sleeper	ETHO-ANT-OLIV/173-234/9-CR	Oliver 173	234/9	Chrome	
11.4	Ethos	Cot Chair Sleeper	ETHO-ANT-OLIV/515-234/9-CR	Oliver 515	234/9	Chrome	
11.5	Ethos	Full XL Loveseat Sleeper	ETHO-BNT-OLIV/173-126/9-WA	Oliver 173	126/9	Walnut	
11.6	Ethos	Full XL Loveseat Sleeper	ETHO-BNT-OLIV/515-126/9-WA	Oliver 515	126/9	Walnut	
11.7	Ethos	Full XL Loveseat Sleeper	ETHO-BNT-OLIV/173-234/9-CR	Oliver 173	234/9	Chrome	
11.8	Ethos	Full XL Loveseat Sleeper	ETHO-BNT-OLIV/515-234/9-CR	Oliver 515	234/9	Chrome	
11.9	Ethos	King Sofa Sleeper	ETHO-DNT-OLIV/173-126/9-WA	Oliver 173	126/9	Walnut	
11.10	Ethos	King Sofa Sleeper	ETHO-DNT-OLIV/515-126/9-WA	Oliver 515	126/9	Walnut	
11.11	Ethos	King Sofa Sleeper	ETHO-DNT-OLIV/173-234/9-CR	Oliver 173	234/9	Chrome	
11.12	Ethos	King Sofa Sleeper	ETHO-DNT-OLIV/515-234/9-CR	Oliver 515	234/9	Chrome	
11.13	Ethos	Queen Loveseat Sleeper	ETHO-CNT-OLIV/173-126/9-WA	Oliver 173	126/9	Walnut	
11.14	Ethos	Queen Loveseat Sleeper	ETHO-CNT-OLIV/515-126/9-WA	Oliver 515	126/9	Walnut	
11.15	Ethos	Queen Loveseat Sleeper	ETHO-CNT-OLIV/173-234/9-CR	Oliver 173	234/9	Chrome	
11.16	Ethos	Queen Loveseat Sleeper	ETHO-CNT-OLIV/515-234/9-CR	Oliver 515	234/9	Chrome	
12.1	Fantasy	Cot Chair Sleeper	FANT-ALV-FUN/481-104/6-WA	Fun 481	104/6	Walnut	
12.2	Fantasy	Cot Chair Sleeper	FANT-ALV-FUN/496-104/6-WA	Fun 496	104/6	Walnut	
12.3	Fantasy	Cot Chair Sleeper	FANT-ALV-RENE/01-104/6-WA	Rene 01	104/6	Walnut	
12.4	Fantasy	Cot Chair Sleeper	FANT-ALV-RENE/04-104/6-WA	Rene 04	104/6	Walnut	
12.5	Fantasy	Cot Chair Sleeper	FANT-ALV-FUN/481-217/6-CR	Fun 481	217/6	Chrome	
12.6	Fantasy	Cot Chair Sleeper	FANT-ALV-FUN/496-217/6-CR	Fun 496	217/6	Chrome	
12.7	Fantasy	Cot Chair Sleeper	FANT-ALV-RENE/01-217/6-CR	Rene 01	217/6	Chrome	
12.8	Fantasy	Cot Chair Sleeper	FANT-ALV-RENE/04-217/6-CR	Rene 04	217/6	Chrome	
12.9	Fantasy	Full XL Loveseat Sleeper	FANT-BLV-RENE/01-104/6-WA	Rene 01	104/6	Walnut	
12.10	Fantasy	Full XL Loveseat Sleeper	FANT-BLV-RENE/04-104/6-WA	Rene 04	104/6	Walnut	
12.11	Fantasy	Full XL Loveseat Sleeper	FANT-BLV-RENE/01-217/6-CR	Rene 01	217/6	Chrome	
12.12	Fantasy	Full XL Loveseat Sleeper	FANT-BLV-RENE/04-217/6-CR	Rene 04	217/6	Chrome	
12.13	Fantasy	King Sofa Sleeper	FANT-DLV-FUN/481-104/6-WA	Fun 481	104/6	Walnut	
12.14	Fantasy	King Sofa Sleeper	FANT-DLV-FUN/496-104/6-WA	Fun 496	104/6	Walnut	
12.15	Fantasy	King Sofa Sleeper	FANT-DLV-RENE/01-104/6-WA	Rene 01	104/6	Walnut	
12.16	Fantasy	King Sofa Sleeper	FANT-DLV-RENE/04-104/6-WA	Rene 04	104/6	Walnut	
12.17	Fantasy	King Sofa Sleeper	FANT-DLV-FUN/481-217/6-CR	Fun 481	217/6	Chrome	
12.18	Fantasy	King Sofa Sleeper	FANT-DLV-FUN/496-217/6-CR	Fun 496	217/6	Chrome	
12.19	Fantasy	King Sofa Sleeper	FANT-DLV-RENE/01-217/6-CR	Rene 01	217/6	Chrome	
12.20	Fantasy	King Sofa Sleeper	FANT-DLV-RENE/04-217/6-CR	Rene 04	217/6	Chrome	
12.21	Fantasy	Queen Loveseat Sleeper	FANT-CLV-RENE/01-104/6-WA	Rene 01	104/6	Walnut	
12.22	Fantasy	Queen Loveseat Sleeper	FANT-CLV-RENE/04-104/6-WA	Rene 04	104/6	Walnut	
12.23	Fantasy	Queen Loveseat Sleeper	FANT-CLV-FUN/481-104/6-WA	Fun 481	104/6	Walnut	
12.24	Fantasy	Queen Loveseat Sleeper	FANT-CLV-FUN/496-104/6-WA	Fun 496	104/6	Walnut	
12.25	Fantasy	Queen Loveseat Sleeper	FANT-CLV-RENE/01-217/6-CR	Rene 01	217/6	Chrome	
12.26	Fantasy	Queen Loveseat Sleeper	FANT-CLV-RENE/04-217/6-CR	Rene 04	217/6	Chrome	
12.27	Fantasy	Queen Loveseat Sleeper	FANT-CLV-FUN/481-217/6-CR	Fun 481	217/6	Chrome	

Ref #	Collection	Name	SKU	Upholstery	Leg	Leg Color	
12.28	Fantasy	Queen Loveseat Sleeper	FANT-CLV-FUN/496-217/6-CR	Fun 496	217/6	Chrome	
12.29	Fantasy	Queen Loveseat Sleeper	FANT-CLV-NS/000-104/6-WA	Natural Soft 000	104/6	Walnut	
12.30	Fantasy	Queen Loveseat Sleeper	FANT-CLV-NS/000-217/6-CR	Natural Soft 000	217/6	Chrome	
12.31	Fantasy	Queen Loveseat Sleeper	FANT-CLV-LAB/05-104/6-WA	Labrador 05	104/6	Walnut	
12.32	Fantasy	Queen Loveseat Sleeper	FANT-CLV-LAB/05-217/6-CR	Labrador 05	217/6	Chrome	
13.1	Flipper	LHF LVS Sleeper + RHF CSE	FLIP-CED60+HAG-NAOM/321-128/12-OK	Naomi 321	128/12	Oak	
14.1	Free	Full XL Sofa Sleeper	FREE-DFP-OLIV/173-104/9-WA	Oliver 173	104/9	Walnut	
15.1	Gloria	Queen Loveseat Sleeper	GLORI-CNT-RENE/02-104/9-WA	Rene 02	104/9	Walnut	
16.1	Halti	LHF CSE + RHF LVS Sleeper	HALT-FO+BMV-ATLA/02-402/6-WA	Atlantic 02	402/6	Walnut	
16.2	Halti	LHF LVS + RHF CSE Sleeper	HALT-BMV+FO-ATLA/02-402/6-WA	Atlantic 02	402/6	Walnut	
16.3	Halti	LHF LVS Sleeper + RHF CSE	HALT-BMV+FO-LENS/700-402/6-WA	Lens 700	402/6	Walnut	
17.1	Hampton	King Sofa Sleeper	HAMP-DHY-RODE/104-104/6-WA	Rodeo 104	104/6	Walnut	
17.2	Hampton	King Sofa Sleeper	HAMP-DHY-RODE/104-217/6-CR	Rodeo 104	217/6	Chrome	
17.3	Hampton	Queen Loveseat Sleeper	HAMP-CHY-RODE/104-104/6-WA	Rodeo 104	104/6	Walnut	
17.4	Hampton	Queen Loveseat Sleeper	HAMP-CHY-RODE/104-217/6-CR	Rodeo 104	217/6	Chrome	
17.5	Hampton	Queen Sectional	HAMP-CHY+FOU-RODE/104-104/6-WA	Rodeo 104	104/6	Walnut	
17.6	Hampton	Queen Sectional	HAMP-CHY+FOU-RODE/104-217/6-CR	Rodeo 104	217/6	Chrome	
18.1	Harold	King Sofa Sleeper	HARO-DNT-OLIV/173-127/9-WA	Oliver 173	127/9	Walnut	
18.2	Harold	Queen Loveseat Sleeper	HARO-CNT-OLIV/173-127/9-WA	Oliver 173	127/9	Walnut	
19.1	Harper	Full XL Sleeper Sectional	HARP-BNT+FOU-ATLA/03-104/9-WA	Atlantic 03	104/9	Walnut	
20.1	Haven	King Sofa Sleeper	HAVE-DHD-ATLA/01-236/12-BM	Atlantic 01	236/12	Brushed Metal	
20.2	Haven	King Sofa Sleeper	HAVE-DHD-ATLA/07-236/12-BM	Atlantic 07	236/12	Brushed Metal	
20.3	Haven	King Sofa Sleeper	HAVE-DHD-ATLA/01-126/12-WA	Atlantic 01	126/12	Walnut	
20.4	Haven	King Sofa Sleeper	HAVE-DHD-ATLA/07-126/12-WA	Atlantic 07	126/12	Walnut	
20.5	Haven	Queen Loveseat Sleeper	HAVE-CHD-ATLA/01-236/12-BM	Atlantic 01	236/12	Brushed Metal	
20.6	Haven	Queen Loveseat Sleeper	HAVE-CHD-ATLA/07-236/12-BM	Atlantic 07	236/12	Brushed Metal	
20.7	Haven	Queen Loveseat Sleeper	HAVE-CHD-ATLA/01-126/12-WA	Atlantic 01	126/12	Walnut	
20.8	Haven	Queen Loveseat Sleeper	HAVE-CHD-ATLA/07-126/12-WA	Atlantic 07	126/12	Walnut	
21.1	Hugo	King Sleeper Sectional	HUGO-DNT+H+B-ATLA/03-104/9-WE	Atlantic 03	104/9	Wenge	
22.1	Jamie	Queen Loveseat Sleeper	JAMI-CNT-LABR/24-104/9-WA	Labrador 24	104/9	Walnut	
22.2	Jamie	Queen Loveseat Sleeper	JAMI-CNT-SA/0127-104/9-WA	Soft Antique 0127	104/9	Walnut	
22.3	Jamie	Queen Loveseat Sleeper	JAMI-CNT-LABR/24-234/9-CR	Labrador 24	234/9	Chrome	
22.4	Jamie	Queen Loveseat Sleeper	JAMI-CNT-SA/0127-234/9-CR	Soft Antique 0127	234/9	Chrome	
23.1	Leon	Queen Loveseat Sleeper	LEON-CLV-AMOR/31-LUNA/96-104/6-WA	Amore 31	132/6	Walnut	
24.1	Liam	Sofa Sectional	LIAM-K1L+D71+FU+K1R-ATLA/01-227/15-BK	Atlantic 01	227/15	Black	
25.1	Martta	Full XL Sectional	MART-BFP+FOU-ATLA/07-127/9-WA	Atlantic 07	127/9	Walnut	
26.1	Monika	Cot Chair Sleeper	MONI-ANT-FUN/496-104/9-WA	Fun 496	104/9	Walnut	
26.2	Monika	Cot Chair Sleeper	MONI-ANT-LOUL/630-104/9-WA	Loule 630	104/9	Walnut	
26.3	Monika	Cot Chair Sleeper	MONI-ANT-OLIV/173-104/9-WA	Oliver 173	104/9	Walnut	
26.4	Monika	Cot Chair Sleeper	MONI-ANT-OLIV/515-104/9-WA	Oliver 515	104/9	Walnut	
26.5	Monika	Cot Chair Sleeper	MONI-ANT-FUN/496-234/9-CR	Fun 496	234/9	Chrome	
26.6	Monika	Cot Chair Sleeper	MONI-ANT-LOUL/630-234/9-CR	Loule 630	234/9	Chrome	
26.7	Monika	Cot Chair Sleeper	MONI-ANT-OLIV/173-234/9-CR	Oliver 173	234/9	Chrome	
26.8	Monika	Cot Chair Sleeper	MONI-ANT-OLIV/515-234/9-CR	Oliver 515	234/9	Chrome	
26.9	Monika	Full XL Loveseat Sleeper	MONI-BNT-FUN/496-104/9-WA	Fun 496	104/9	Walnut	
26.10	Monika	Full XL Loveseat Sleeper	MONI-BNT-LOUL/630-104/9-WA	Loule 630	104/9	Walnut	
26.11	Monika	Full XL Loveseat Sleeper	MONI-BNT-OLIV/173-104/9-WA	Oliver 173	104/9	Walnut	
26.12	Monika	Full XL Loveseat Sleeper	MONI-BNT-OLIV/515-104/9-WA	Oliver 515	104/9	Walnut	
26.13	Monika	Full XL Loveseat Sleeper	MONI-BNT-FUN/496-234/9-CR	Fun 496	234/9	Chrome	

Ref #	Collection	Name	SKU	Upholstery	Leg	Leg Color	
26.14	Monika	Full XL Loveseat Sleeper	MONI-BNT-LOUL/630-234/9-CR	Loule 630	234/9	Chrome	
26.15	Monika	Full XL Loveseat Sleeper	MONI-BNT-OLIV/173-234/9-CR	Oliver 173	234/9	Chrome	
26.16	Monika	Full XL Loveseat Sleeper	MONI-BNT-OLIV/515-234/9-CR	Oliver 515	234/9	Chrome	
26.17	Monika	King Sofa Sleeper	MONI-DNT-FUN/496-104/9-WA	Fun 496	104/9	Walnut	
26.18	Monika	King Sofa Sleeper	MONI-DNT-LOUL/630-104/9-WA	Loule 630	104/9	Walnut	
26.19	Monika	King Sofa Sleeper	MONI-DNT-OLIV/173-104/9-WA	Oliver 173	104/9	Walnut	
26.20	Monika	King Sofa Sleeper	MONI-DNT-OLIV/515-104/9-WA	Oliver 515	104/9	Walnut	
26.21	Monika	King Sofa Sleeper	MONI-DNT-FUN/496-234/9-CR	Fun 496	234/9	Chrome	
26.22	Monika	King Sofa Sleeper	MONI-DNT-LOUL/630-234/9-CR	Loule 630	234/9	Chrome	
26.23	Monika	King Sofa Sleeper	MONI-DNT-OLIV/173-234/9-CR	Oliver 173	234/9	Chrome	
26.24	Monika	King Sofa Sleeper	MONI-DNT-OLIV/515-234/9-CR	Oliver 515	234/9	Chrome	
26.25	Monika	Queen Loveseat Sleeper	MONI-CNT-FUN/496-104/9-WA	Fun 496	104/9	Walnut	
26.26	Monika	Queen Loveseat Sleeper	MONI-CNT-LOUL/630-104/9-WA	Loule 630	104/9	Walnut	
26.27	Monika	Queen Loveseat Sleeper	MONI-CNT-OLIV/173-104/9-WA	Oliver 173	104/9	Walnut	
26.28	Monika	Queen Loveseat Sleeper	MONI-CNT-OLIV/515-104/9-WA	Oliver 515	104/9	Walnut	
26.29	Monika	Queen Loveseat Sleeper	MONI-CNT-FUN/496-234/9-CR	Fun 496	234/9	Chrome	
26.30	Monika	Queen Loveseat Sleeper	MONI-CNT-LOUL/630-234/9-CR	Loule 630	234/9	Chrome	
26.31	Monika	Queen Loveseat Sleeper	MONI-CNT-OLIV/173-234/9-CR	Oliver 173	234/9	Chrome	
26.32	Monika	Queen Loveseat Sleeper	MONI-CNT-OLIV/515-234/9-CR	Oliver 515	234/9	Chrome	
27.1	Nico	Cot Chair Sleeper	NICO-ANT-LOUL/616-104/9-WA	Loule 616	104/9	Walnut	
27.2	Nico	Cot Chair Sleeper	NICO-ANT-RENE/04-104/9-WA	Rene 04	104/9	Walnut	
27.3	Nico	Cot Chair Sleeper	NICO-ANT-LOUL/616-234/9-CR	Loule 616	234/9	Chrome	
27.4	Nico	Cot Chair Sleeper	NICO-ANT-RENE/04-234/9-CR	Rene 04	234/9	Chrome	
27.5	Nico	Full XL Loveseat Sleeper	NICO-BNT-LOUL/616-104/9-WA	Loule 616	104/9	Walnut	
27.6	Nico	Full XL Loveseat Sleeper	NICO-BNT-RENE/04-104/9-WA	Rene 04	104/9	Walnut	
27.7	Nico	Full XL Loveseat Sleeper	NICO-BNT-LOUL/616-234/9-CR	Loule 616	234/9	Chrome	
27.8	Nico	Full XL Loveseat Sleeper	NICO-BNT-RENE/04-234/9-CR	Rene 04	234/9	Chrome	
27.9	Nico	King Sofa Sleeper	NICO-DNT-LOUL/616-104/9-WA	Loule 616	104/9	Walnut	
27.10	Nico	King Sofa Sleeper	NICO-DNT-RENE/04-104/9-WA	Rene 04	104/9	Walnut	
27.11	Nico	King Sofa Sleeper	NICO-DNT-LOUL/616-234/9-CR	Loule 616	234/9	Chrome	
27.12	Nico	King Sofa Sleeper	NICO-DNT-RENE/04-234/9-CR	Rene 04	234/9	Chrome	
27.13	Nico	Queen Loveseat Sleeper	NICO-CNT-LOUL/616-104/9-WA	Loule 616	104/9	Walnut	
27.14	Nico	Queen Loveseat Sleeper	NICO-CNT-RENE/04-104/9-WA	Rene 04	104/9	Walnut	
27.15	Nico	Queen Loveseat Sleeper	NICO-CNT-LOUL/616-234/9-CR	Loule 616	234/9	Chrome	
27.16	Nico	Queen Loveseat Sleeper	NICO-CNT-RENE/04-234/9-CR	Rene 04	234/9	Chrome	
27.17	Nico	Queen Loveseat Sleeper	NICO-CNT-SA/4340-104/9-WA	Soft Antique 4340	104/9	Walnut	
27.18	Nico	Queen Loveseat Sleeper	NICO-CNT-SA/4340-234/9-CR	Soft Antique 4340	234/9	Chrome	
28.1	Noah	LHF CSE + RHF LVS Sleeper	NOAH-BFP+FOU-RENE/04-104/9-WA	Rene 04	104/9	Walnut	
28.2	Noah	LHF LVS Sleeper + RHF CSE	NOAH-BFP+FOU-LAB/03-104/9-WA	Labrador 03	104/9	Walnut	
29.1	Paris	King Sofa Sleeper	PARI-DNT-RENE/04-104/9-WA	Rene 04	104/9	Walnut	
29.2	Paris	King Sofa Sleeper	PARI-DNT-RENE/04-234/9-CR	Rene 04	234/9	Chrome	
29.3	Paris	Queen Loveseat Sleeper	PARI-CNT-RENE/04-104/9-WA	Rene 04	104/9	Walnut	
29.4	Paris	Queen Loveseat Sleeper	PARI-CNT-RENE/04-234/9-CR	Rene 04	234/9	Chrome	
30.1	Pint	LHF CSE + RHF LVS Sleeper	PINT-FO+BHY-RENE/03-110/6-WA	Rene 03	110/6	Walnut	
30.2	Pint	LHF LVS Sleeper + RHF CSE	PINT-BHY+FO-RENE/03-110/6-WA	Rene 03	110/6	Walnut	
31.1	Poet	Loveseat	POET-B-LAB/24-115/12-WA	Labrador 24	115/12	Walnut	
31.2	Poet	Sofa	POET-E-LAB/24-115/12-WA	Labrador 24	115/12	Walnut	
32.1	Rolled	Recliner	ROLL-AR-OLIV/173	Oliver 173	Base	Black	
32.2	Rolled	Recliner	ROLL-AR-RENE/01	Rene 01	Base	Black	
32.3	Rolled	Recliner	ROLL-AR-RENE/03	Rene 03	Base	Black	
32.4	Rolled	Recliner	ROLL-AR-PWR-OLIV/173	Oliver 173	Base	Black	
32.5	Rolled	Recliner	ROLL-AR-PWR-RENE/01	Rene 01	Base	Black	

Ref #	Collection	Name	SKU	Upholstery	Leg	Leg Color	
32.6	Rolled	Recliner	ROLL-AR-PWR-RENE/03	Rene 03	Base	Black	
33.1	Rosalind	Full Size Sofa Sleeper	ROSA-EED-RENE/01-104/6-WA	Rene 01	104/6	Walnut	
34.1	Sloped	Recliner	SLOP-AR-FUN/496	Fun 496	Base	Black	
34.2	Sloped	Recliner	SLOP-AR-LOUL/630	Loule 630	Base	Black	
34.3	Sloped	Recliner	SLOP-AR-OLIV/173	Oliver 173	Base	Black	
34.4	Sloped	Recliner	SLOP-AR-OLIV/515	Oliver 515	Base	Black	
34.5	Sloped	Recliner	SLOP-AR-PWR-FUN/496	Fun 496	Base	Black	
34.6	Sloped	Recliner	SLOP-AR-PWR-LOUL/630	Loule 630	Base	Black	
34.7	Sloped	Recliner	SLOP-AR-PWR-OLIV/173	Oliver 173	Base	Black	
34.8	Sloped	Recliner	SLOP-AR-PWR-OLIV/515	Oliver 515	Base	Black	
35.1	Track	Recliner	TRAC-AR-FUN/481	Fun 481	Base	Black	
35.2	Track	Recliner	TRAC-AR-FUN/496	Fun 496	Base	Black	
35.3	Track	Recliner	TRAC-AR-LOUL/616	Loule 616	Base	Black	
35.4	Track	Recliner	TRAC-AR-RENE/04	Rene 04	Base	Black	
35.5	Track	Recliner	TRAC-AR-PWR-FUN/481	Fun 481	Base	Black	
35.6	Track	Recliner	TRAC-AR-PWR-FUN/496	Fun 496	Base	Black	
35.7	Track	Recliner	TRAC-AR-PWR-LOUL/616	Loule 616	Base	Black	
35.8	Track	Recliner	TRAC-AR-PWR-RENE/04	Rene 04	Base	Black	
35.9	Track	Recliner	TRAC-AR-SA/4340	Soft Antique 4340	Base	Black	
35.10	Track	Recliner	TRAC-AR-PWR-SA/4340	Soft Antique 4340	Base	Black	
36.1	Viola	Sectional LHF LVS + RHF CSE	VIOL-HAG+C-RENE/03-WB/WA-SUP	Rene 03	Wood Base	Walnut	
36.2	Viola	Sectional LHF LVS + RHF CSE	VIOL-C+HAG-RENE/03-WB/WA-SUP	Rene 03	Wood Base	Walnut	
36.3	Viola	Sofa	VIOL-D-RENE/03-WB/WA-SUP	Rene 03	Wood Base	Walnut	
37.1	Welted	Recliner	WELT-AR-OLIV/173	Oliver 173	Base	Black	
37.2	Welted	Recliner	WELT-AR-OLIV/515	Oliver 515	Base	Black	
37.3	Welted	Recliner	WELT-AR-PWR-OLIV/173	Oliver 173	Base	Black	
37.4	Welted	Recliner	WELT-AR-PWR-OLIV/515	Oliver 515	Base	Black	
38.1	West	Queen Loveseat Sleeper	WEST-CLV-PWR-SA/0000-217/6-CR	Soft Antique 000	217/6	Chrome	
38.2	West	Queen Loveseat Sleeper	WEST-CLV-SA/0000-217/6-CR	Soft Antique 000	217/6	Chrome	
38.3	West	Queen Loveseat Sleeper	WEST-CLV-SA/4100-217/6-CR	Soft Antique 4100	217/6	Chrome	
39.1	Accessory	Coffee Table	FUNC-QO-FUN/496-TOP/WA-WHL	Fun 496	Wheels	Gray	
39.2	Accessory	Coffee Table	FUNC-QO-OLIV/173-TOP/WA-WHL	Oliver 173	Wheels	Gray	
39.3	Accessory	Coffee Table	FUNC-QO-OLIV/515-TOP/WA-WHL	Oliver 515	Wheels	Gray	
39.4	Accessory	Mattress Protector Cot	MATT-PROT-COT				
39.5	Accessory	Mattress Protector Full XL	MATT-PROT-FULLXL				
39.6	Accessory	Mattress Protector King	MATT-PROT-KING				
39.7	Accessory	Mattress Protector Queen	MATT-PROT-QUEEN				
39.8	Accessory	Level - Wired Remote	SP-WIRE-REMO-CTL				
39.9	Accessory	Neckrest - L - Nest Function	UNIV-ZNT-L-FUN/496	Fun 496			
39.10	Accessory	Neckrest - L - Nest Function	UNIV-ZNT-L-LOUL/616	Loule 616			
39.11	Accessory	Neckrest - L - Nest Function	UNIV-ZNT-L-LOUL/630	Loule 630			
39.12	Accessory	Neckrest - L - Nest Function	UNIV-ZNT-L-OLIV/173	Oliver 173			
39.13	Accessory	Neckrest - L - Nest Function	UNIV-ZNT-L-OLIV/515	Oliver 515			
39.14	Accessory	Neckrest - L - Nest Function	UNIV-ZNT-L-RENE/04	Rene 04			
39.15	Accessory	Neckrest - M - Nest Function	UNIV-ZNT-M-FUN/496	Fun 496			
39.16	Accessory	Neckrest - M - Nest Function	UNIV-ZNT-M-LOUL/616	Loule 616			
39.17	Accessory	Neckrest - M - Nest Function	UNIV-ZNT-M-LOUL/630	Loule 630			
39.18	Accessory	Neckrest - M - Nest Function	UNIV-ZNT-M-OLIV/173	Oliver 173			
39.19	Accessory	Neckrest - M - Nest Function	UNIV-ZNT-M-OLIV/515	Oliver 515			
39.20	Accessory	Neckrest - M - Nest Function	UNIV-ZNT-M-RENE/04	Rene 04			

# LUONTO

# WARRANTY

Register Your Purchase at [www.luonto.com/warranty](http://www.luonto.com/warranty)

The exclusive Luonto Furniture Inc. warranty becomes effective upon the delivery date of furniture and is non-transferable. Luonto Furniture Inc. will repair or replace at our discretion any piece of furniture that is defective in material or workmanship under the terms and conditions outlined here. If Luonto Furniture Inc. determines that a repair is impractical, you will be furnished a substitute of the same or similar color, design, and quality.

**THE REPAIR OR REPLACEMENT OF DEFECTIVE GOODS CONSTITUTES LUONTO FURNITURE INC. ENTIRE OBLIGATION. THERE ARE NO OTHER WARRANTIES, EXPRESSED OR IMPLIED, INCLUDING ANY WARRANTY OR MERCHANTABILITY OR FITNESS FOR A PARTICULAR PURPOSE.**

**Please register your purchase at [www.luonto.com/warranty](http://www.luonto.com/warranty)**

How to proceed if you observe a defect:

First and foremost, should you notice a manufacturing defect, **it is important that you promptly notify the Authorized Retailer where your purchase was made.** To exercise your rights under this warrant, Authorized Retailers must submit the original sales receipt and delivery ticket when making a claim. Authorized Retailers initiate all claims on behalf of the customer. If it is impossible to notify your local retailer, please submit your claim to Luonto Furniture Customer Service.

For your convenience, we have a Toll Free number: (888) 255 2951 or email our Customer Service department: [customerservice@luontofurniture.com](mailto:customerservice@luontofurniture.com)

CATEGORY	Period	Details of Coverage
Frames & Springs .....	10 Years	<sup>1</sup> Warranted against loss of resilience under normal conditions. All cushions and pillows will naturally soften with normal use. This is not a material or manufacturing defect. Warranty does not cover any normal softening of cushion core, flattening of a fiber top or loss of loft.
Mechanisms .....	2 Years	
Cushion Cores, Pillow Inserts, Back Cushions, Back Pillows and Padding .....	2 Years <sup>1</sup>	<sup>2</sup> Warranted against seam slippage, fraying, and dye transfer. Except where intrinsic to natural characteristics of fabric (i.e., velvets, silks), warranted against nap loss and marking. All COM (customer's Own Material) and merchandise subject to after-market protective treatments are excluded from warranty.
Sleeper Mechanisms .....	2 Years	
Sleeper Mattresses .....	1 Year	
Electrical Components, Motors, and Controls .....	1 Year	<sup>3</sup> Warranted against splitting, seam slippage, and dye transfer. Nature's own characteristics such as wrinkling, marking and variations in grain or color are not covered.
Covering Fabric .....	1 Year <sup>2</sup>	
Covering Leather .....	1 Year <sup>3</sup>	



*Timo Viitala*

Timo Viitala, Chairman Of The Board  
Pohjanmaan Kaluste LTD.

SIXTIETH ANNIVERSARY

# FUNCTIONAL BY DESIGN



CELEBRATING  
60 YEARS OF HIGH  
QUALITY FURNITURE



## Stock Program

Visit Our Showroom  
High Point Market IHFC Showroom H604  
210 E Commerce Ave. High Point, NC 27260



Follow Us on Social Media @luontofurniture

Explore Online [www.luonto.com](http://www.luonto.com)

Copyright © 2023 Luonto® Furniture, Inc. v1